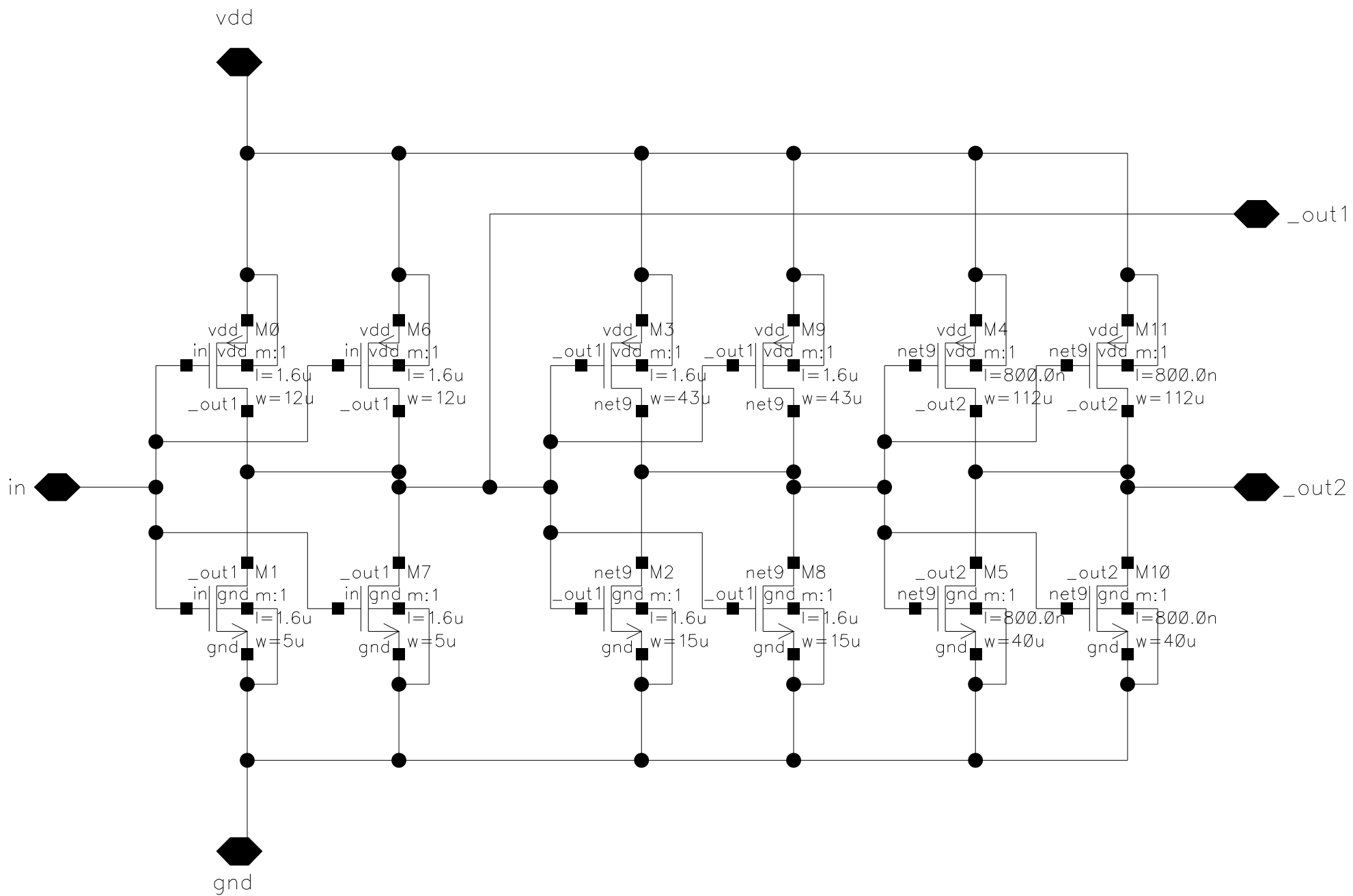
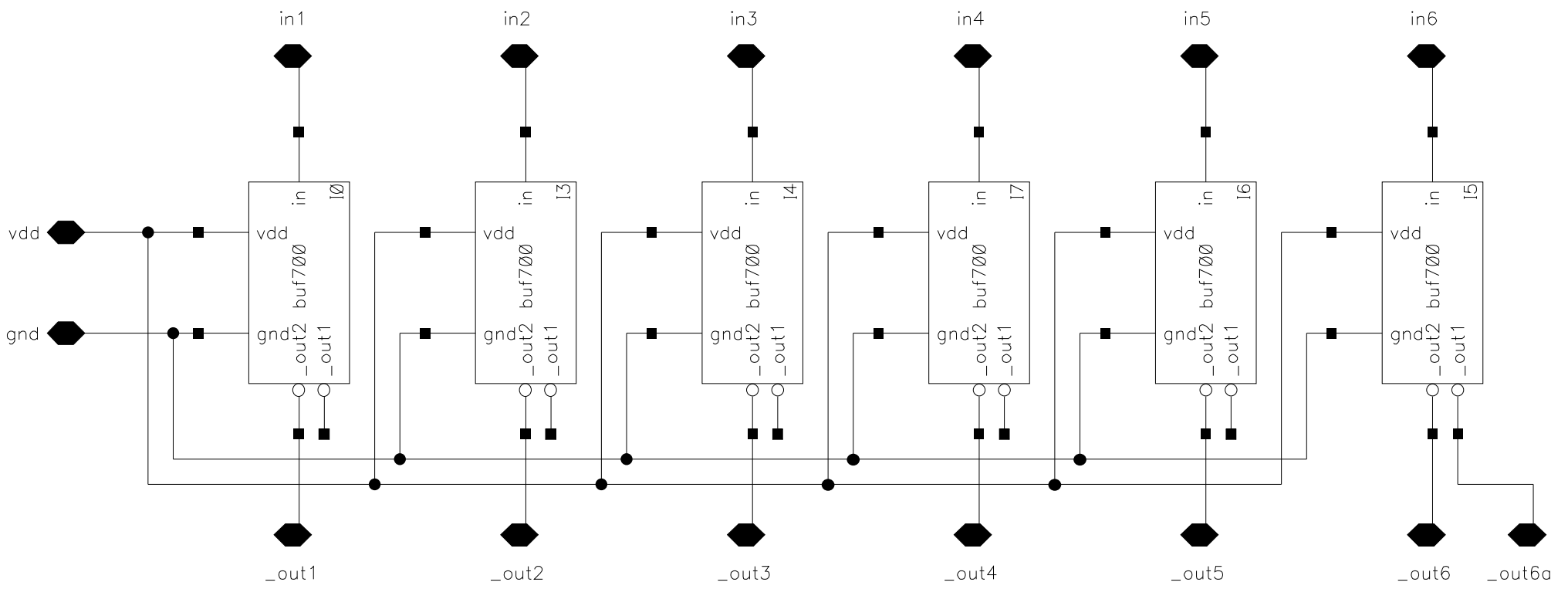


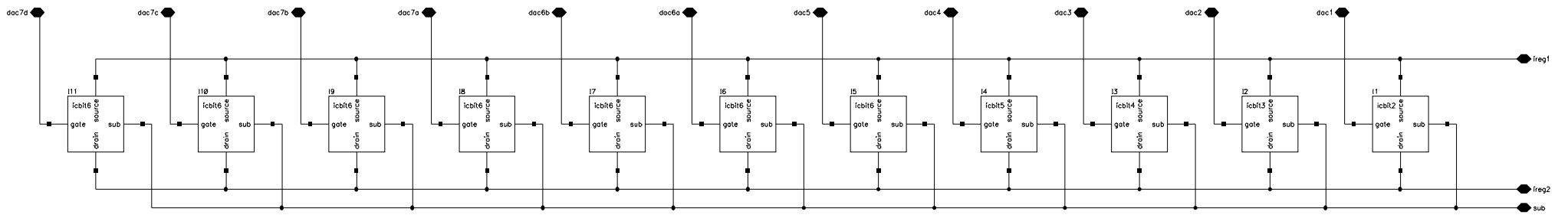
USER: blist
DATE: Wed May 24 14:48:54 2000
PLOT SIZE: 6.78 x 10.50 Inches
Library: decoderneu
Cell: buf700
View: schematic
Plot Area: ((-2.75 -1.0625) (2.91875 2.6))



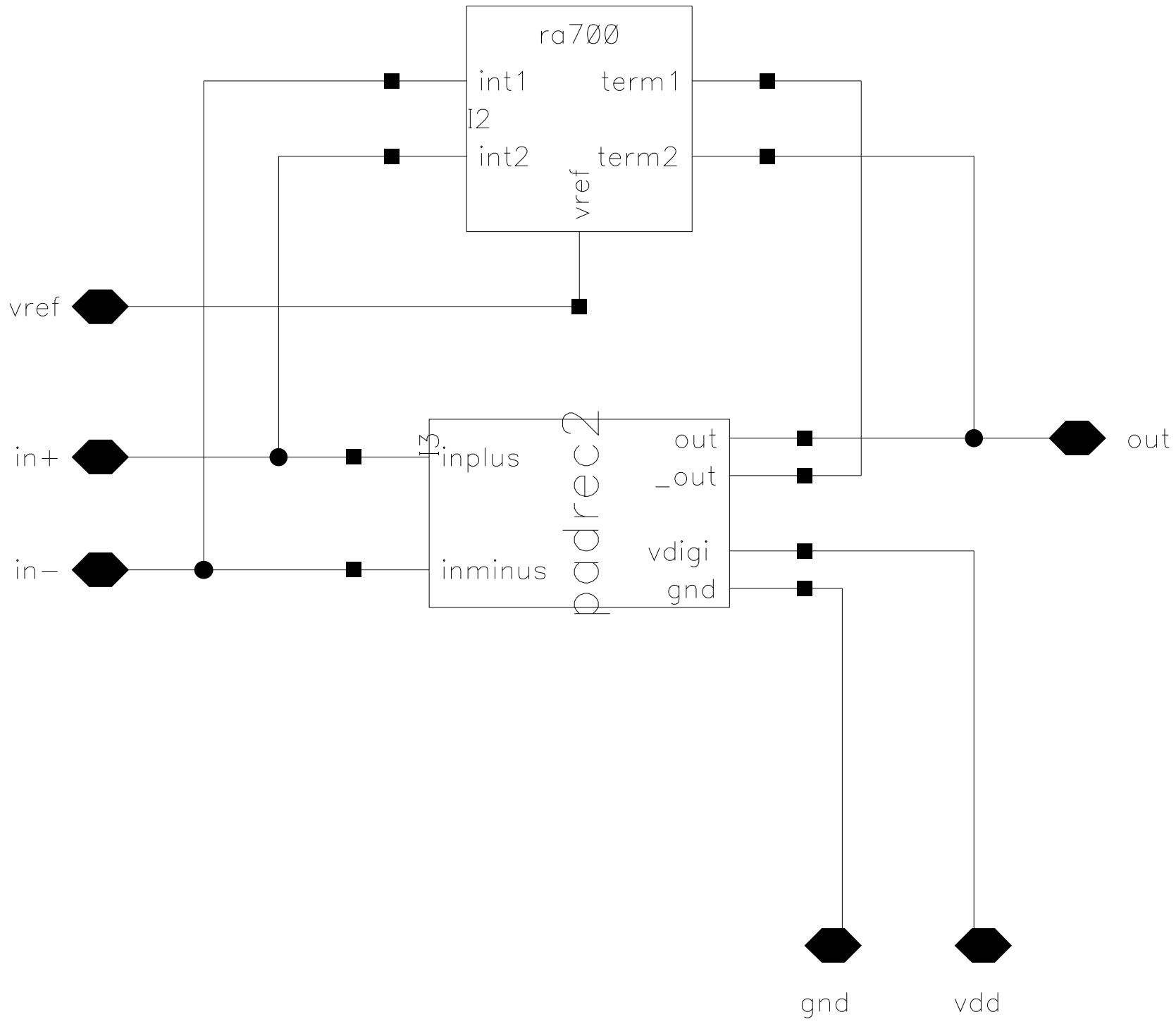
USER: blist
DATE: Wed May 24 14:48:32 2000
PLOT SIZE: 3.88 x 10.50 Inches
Library: decoderneu
Cell: buf706
View: schematic
Plot Area: ((-3.375 -1.125)(4.34375 1.725))



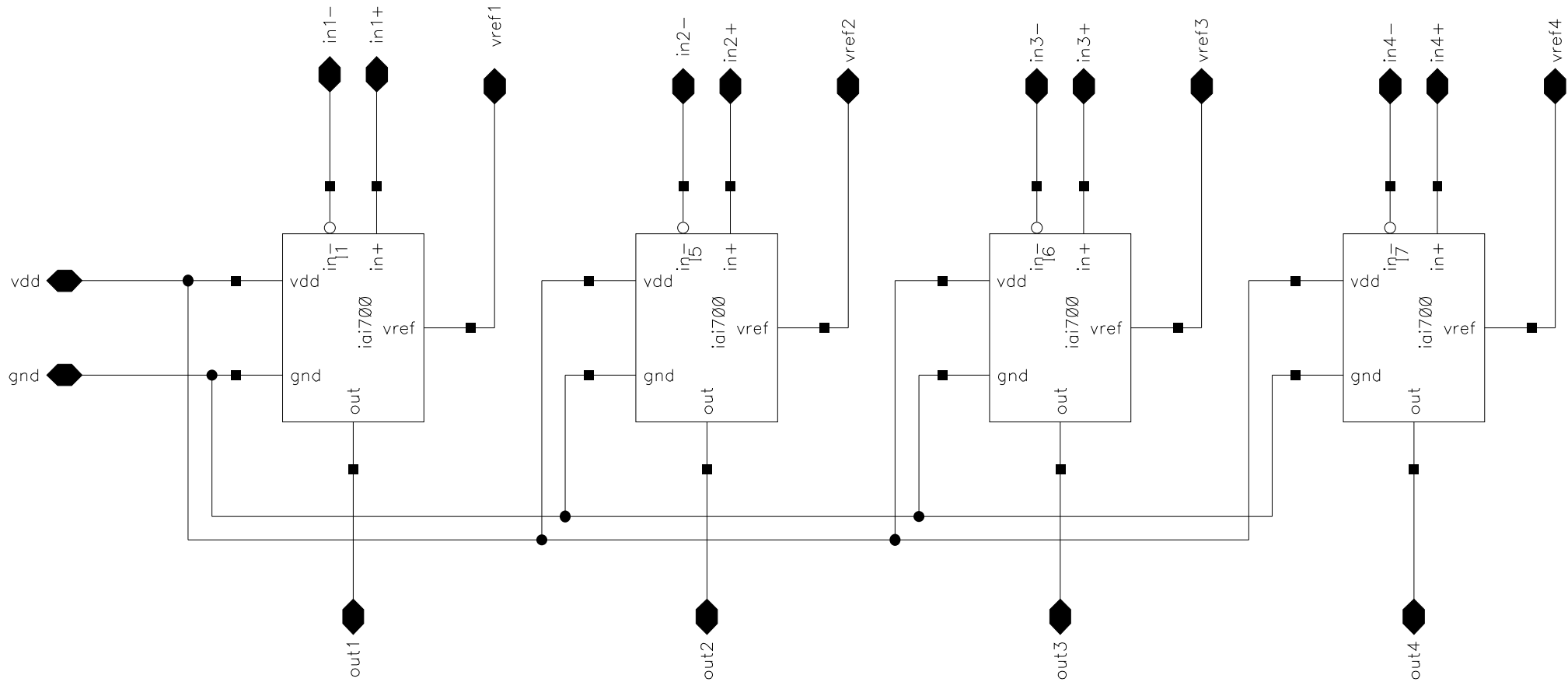
USER: blist
DATE: Wed May 24 15:00:27 2000
PLOT SIZE: 1.44 x 10.50 Inches
Library: decoderneu
Cell: cur700
View: schematic
Plot Area: ((-18.06875 -1.0375)(2.64375 1.8125))



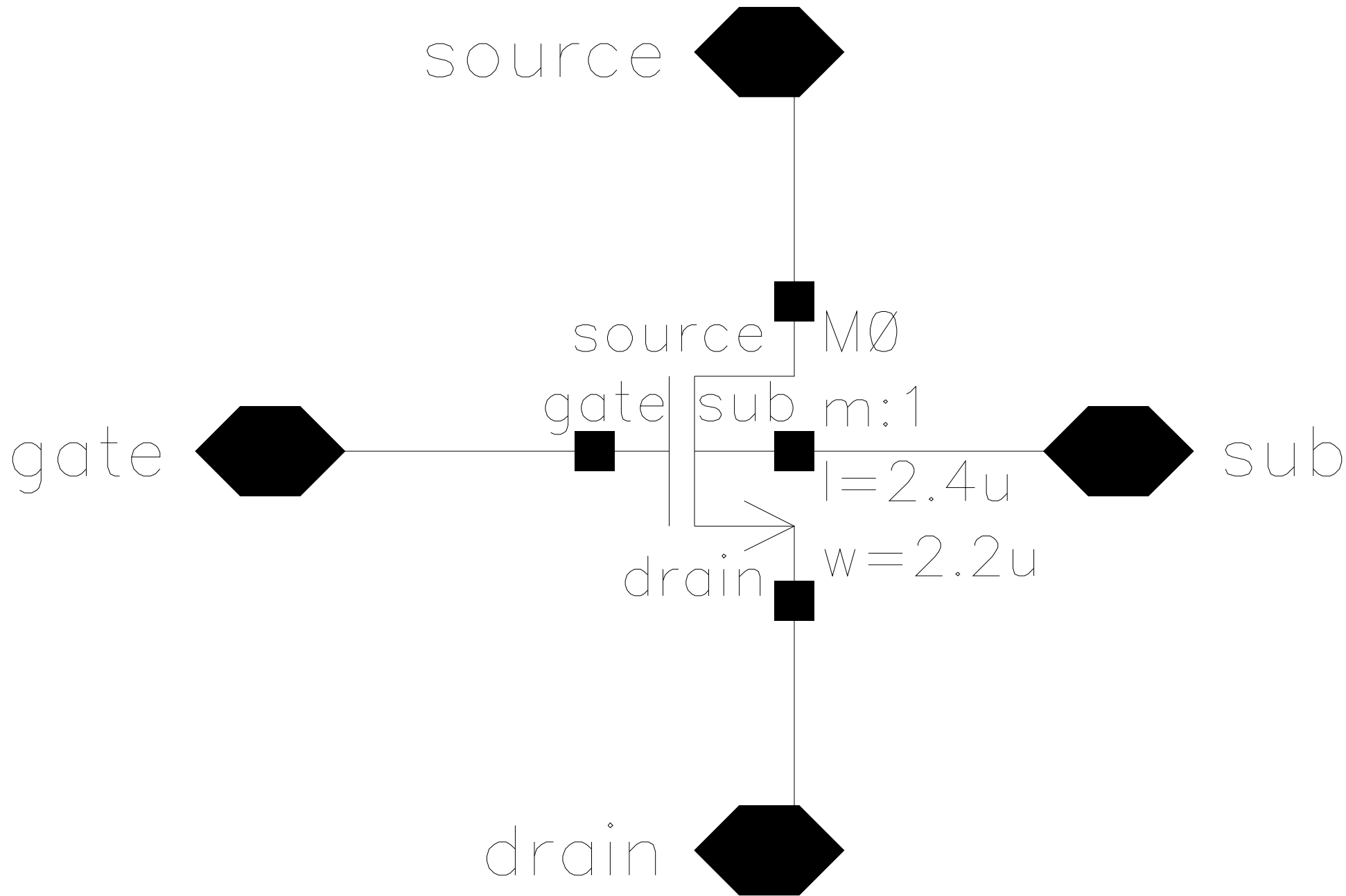
USER: blist
DATE: Wed May 24 14:45:36 2000
PLOT SIZE: 7.50 x 8.68 Inches
Library: decoderneu
Cell: iai700
View: schematic
Plot Area: ((-2.0625 -1.5)(1.84375 1.875))



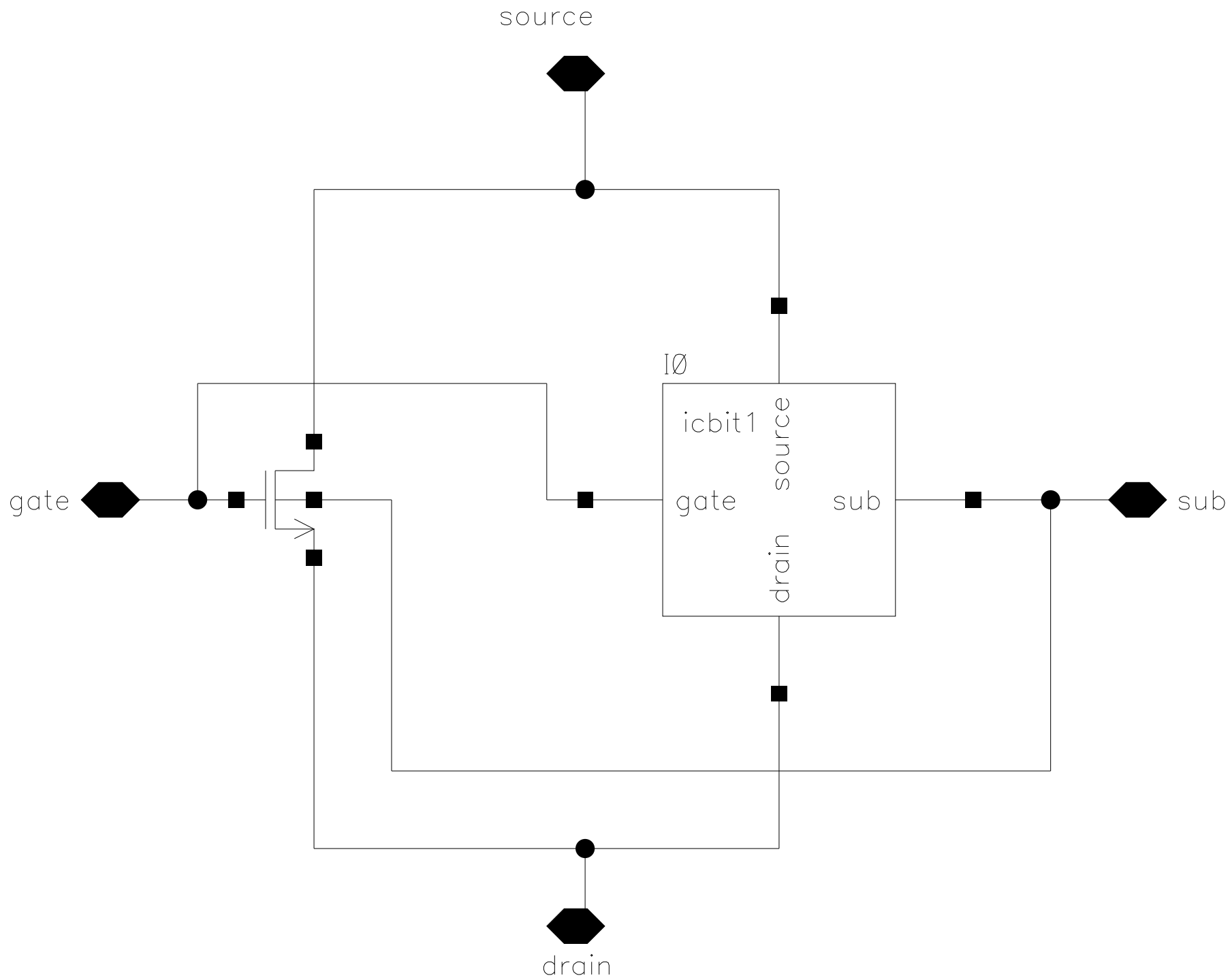
USER: blist
DATE: Wed May 24 14:44:57 2000
PLOT SIZE: 4.54 x 10.50 Inches
Library: decoderneu
Cell: iai704
View: schematic
Plot Area: ((-1.625 -1.375) (6.6875 2.21875))



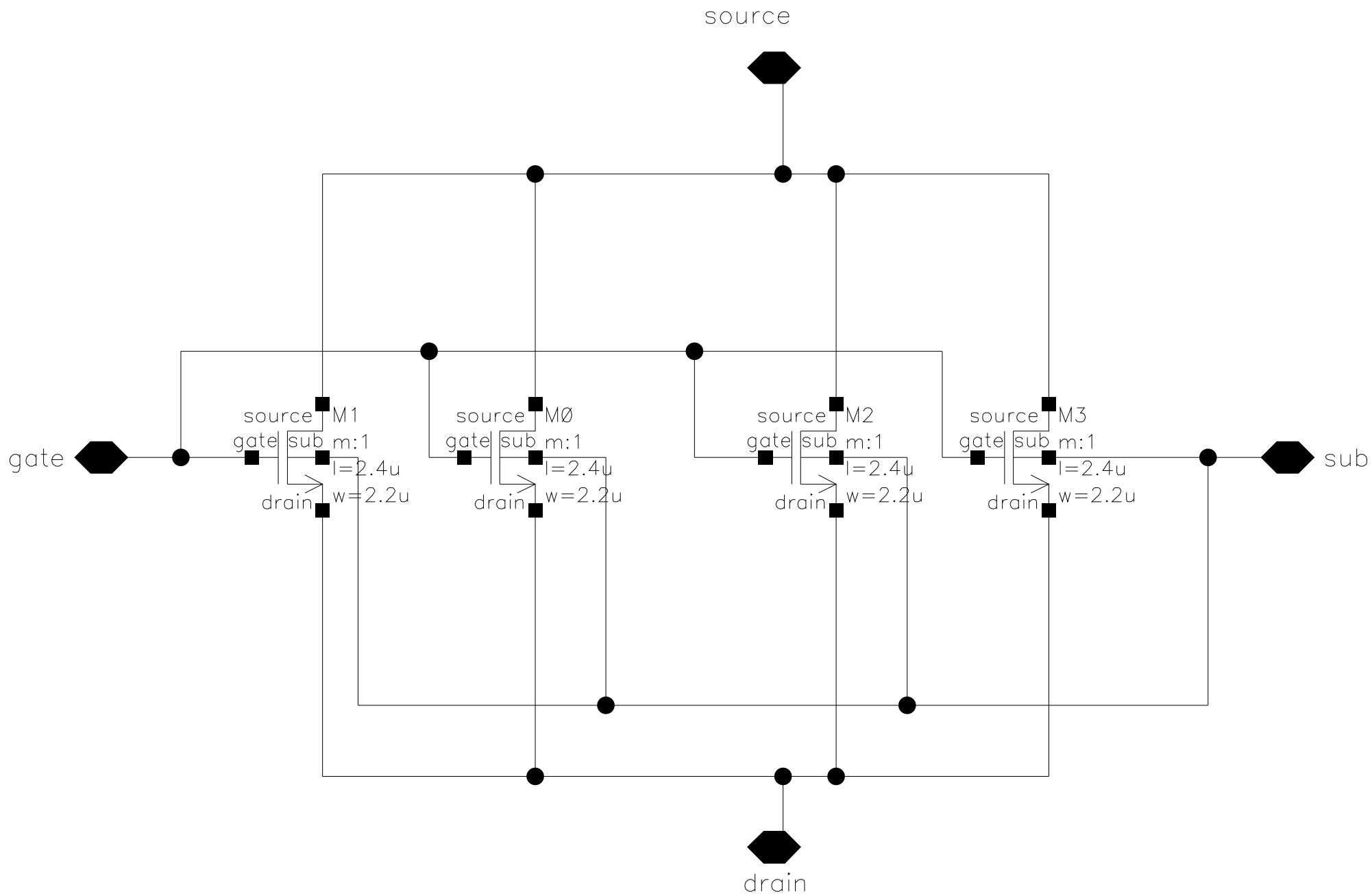
USER: blist
DATE: Wed May 24 15:02:52 2000
PLOT SIZE: 7.35 x 10.50 Inches
Library: decoderneu
Cell: icbit1
View: schematic
Plot Area: ((-1.875 0.2125) (-0.125 1.4375))



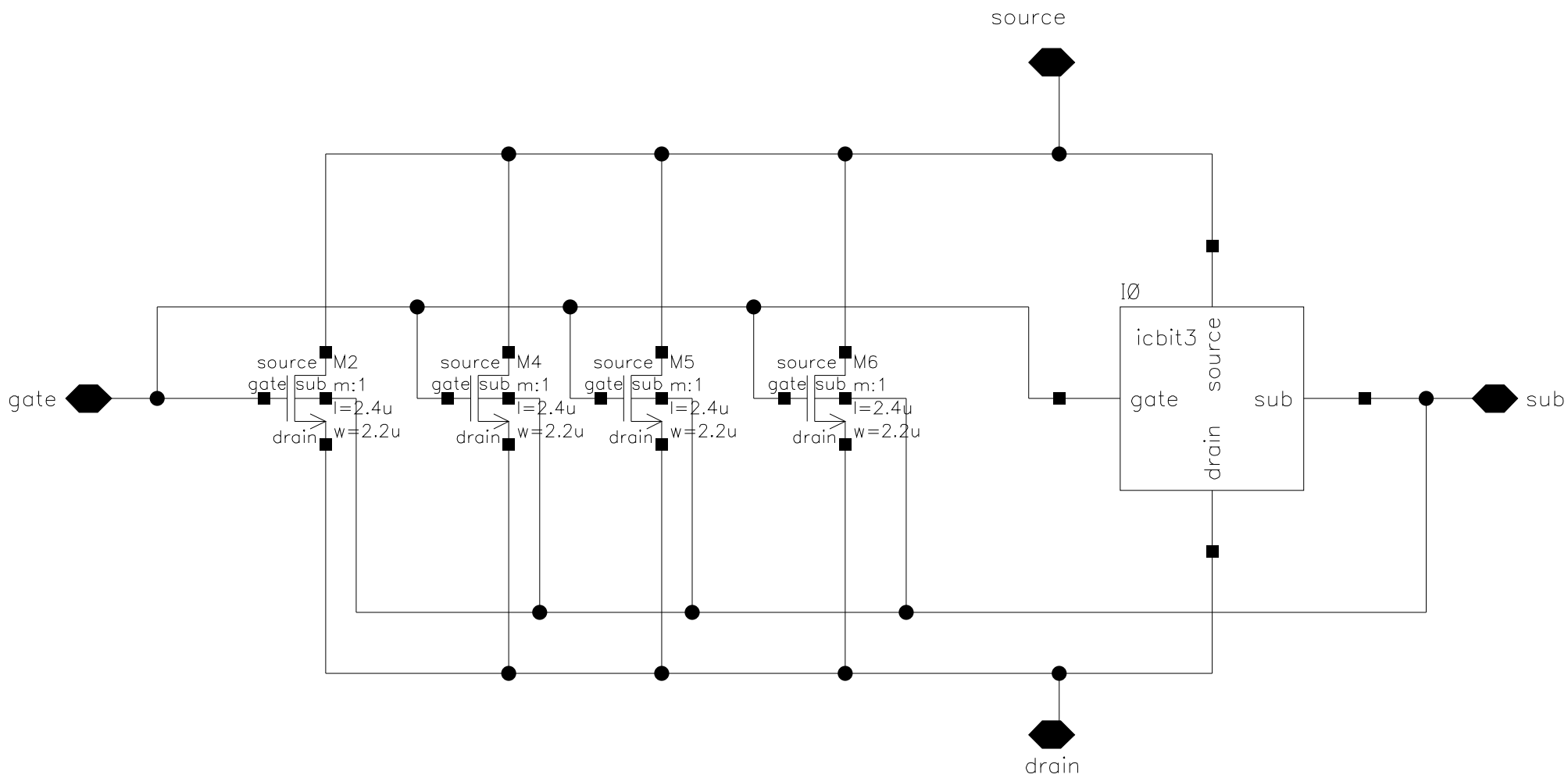
USER: blist
DATE: Wed May 24 15:02:35 2000
PLOT SIZE: 7.50 x 9.49 Inches
Library: decoderneu
Cell: icbit2
View: schematic
Plot Area: ((-1.875 -0.6875) (2.125 2.475))



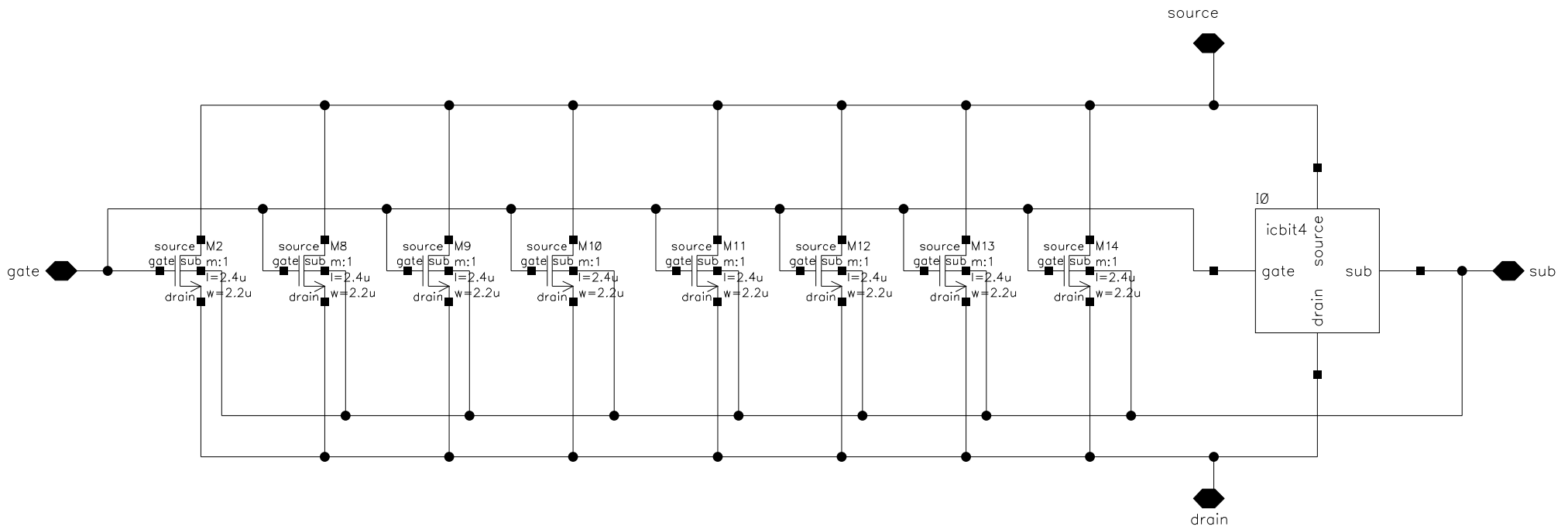
USER: blist
DATE: Wed May 24 15:02:02 2000
PLOT SIZE: 6.81 x 10.50 Inches
Library: decoderneu
Cell: icbit3
View: schematic
Plot Area: ((-2.75 -0.6875) (2.125 2.475))



USER: blist
DATE: Wed May 24 15:01:45 2000
PLOT SIZE: 5.16 x 10.50 Inches
Library: decoderneu
Cell: icbit4
View: schematic
Plot Area: ((-4.3125 -0.6875) (2.125 2.475))



USER: blist
DATE: Wed May 24 15:01:28 2000
PLOT SIZE: 3.52 x 10.50 Inches
Library: decoderneu
Cell: icbit5
View: schematic
Plot Area: ((-7.3125 -0.6875) (2.125 2.475))



USER: blist

DATE: Wed May 24 15:01:06 2000

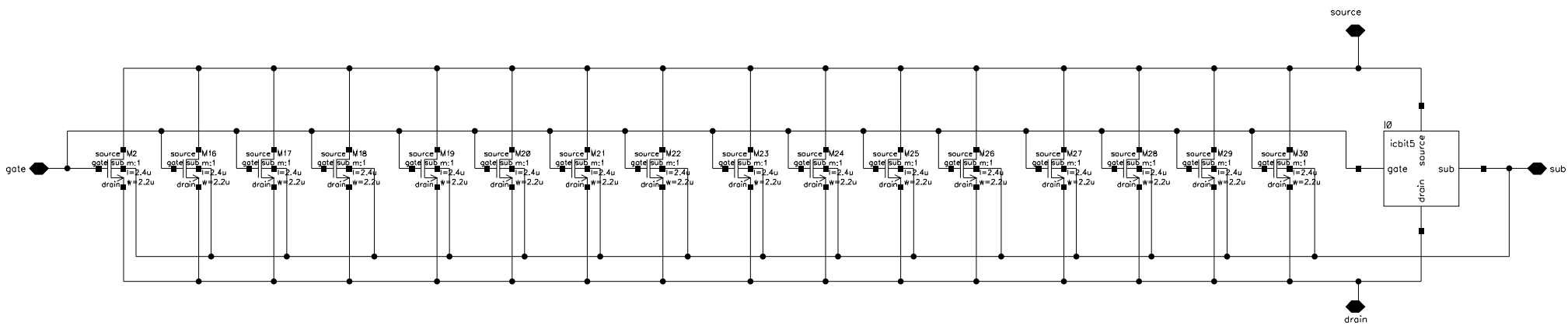
PLOT SIZE: 2.13 x 10.50 Inches

Library: decoderneu

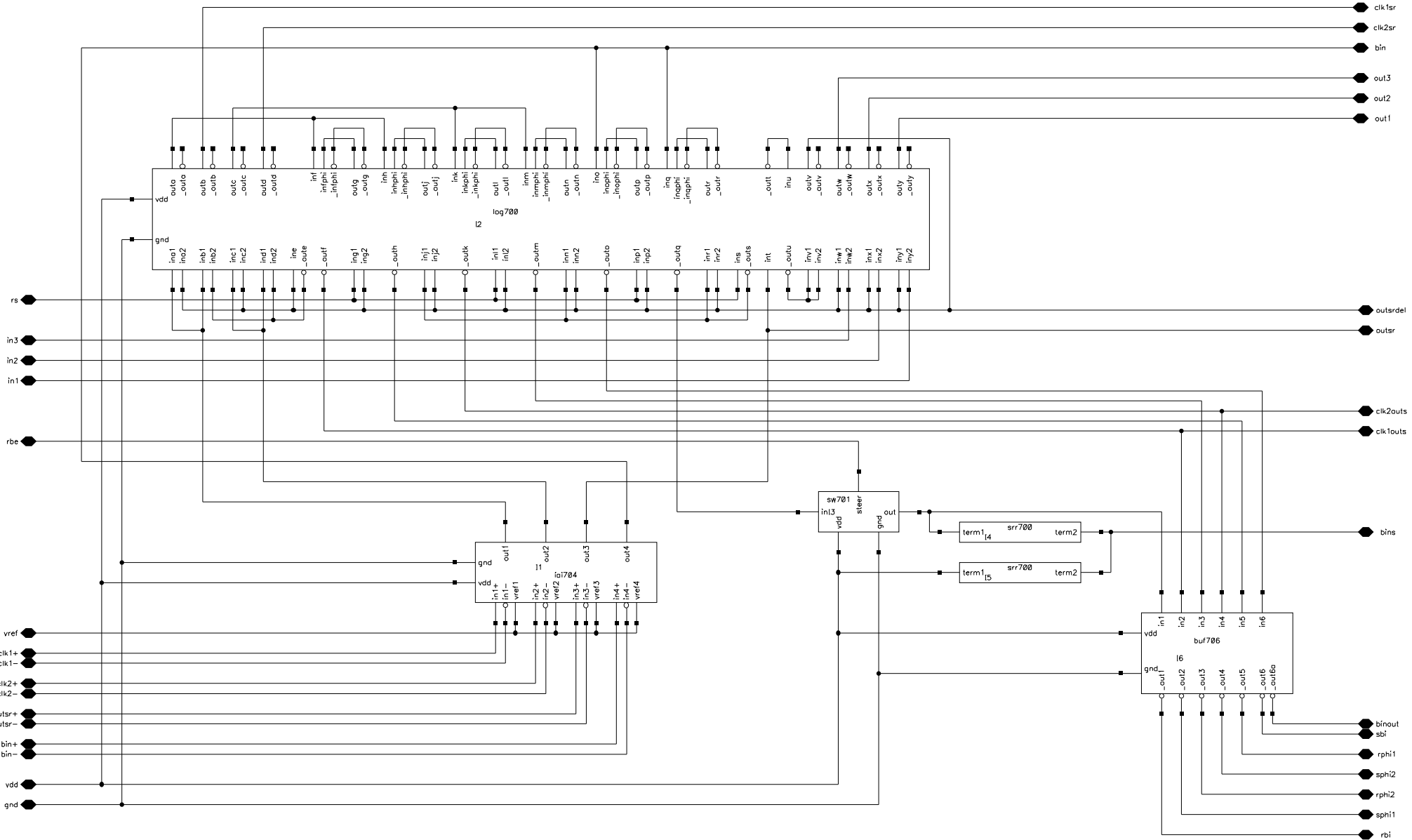
Cell: icbit6

View: schematic

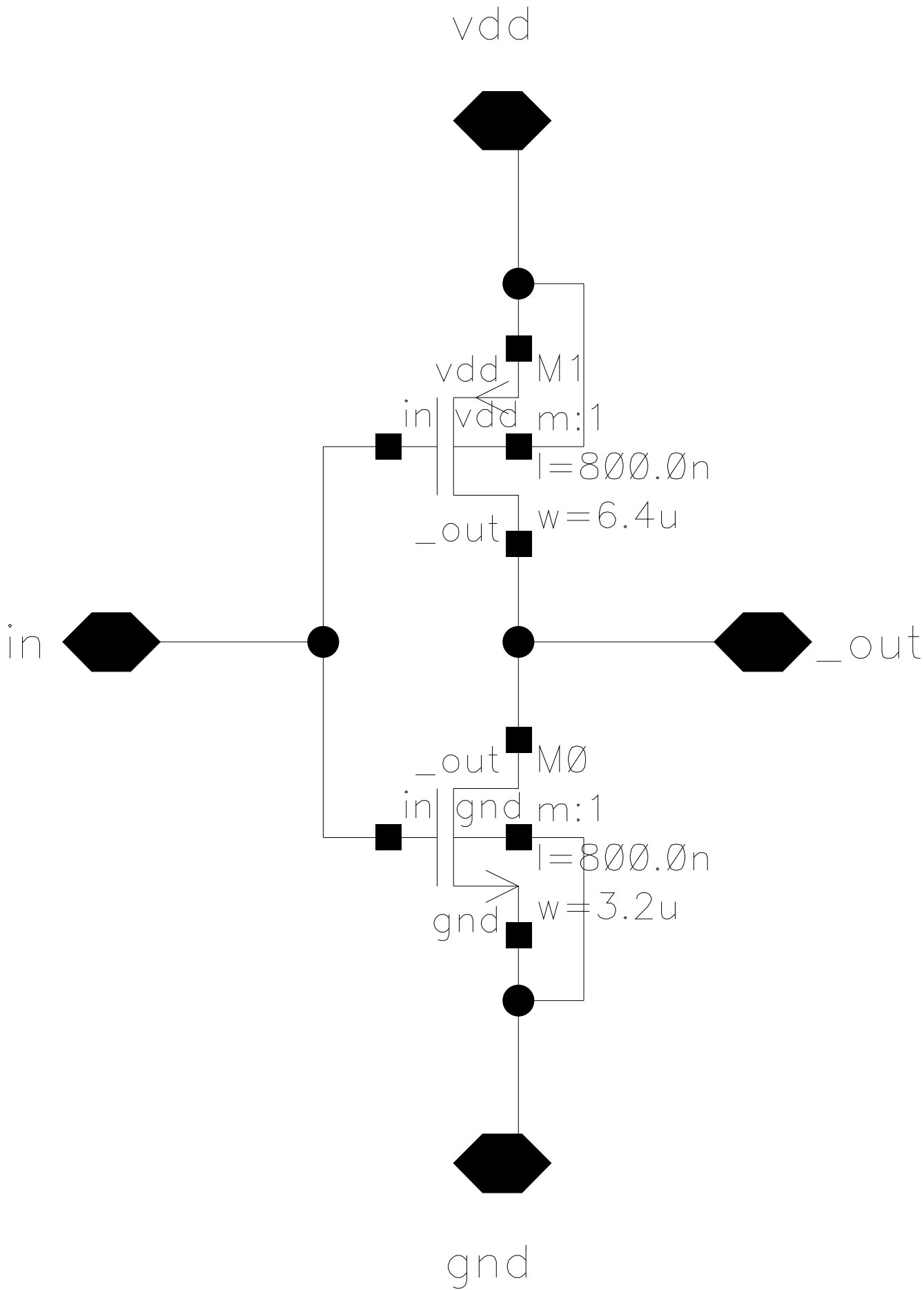
Plot Area: ((-13.5 -0.6875) (2.125 2.475))



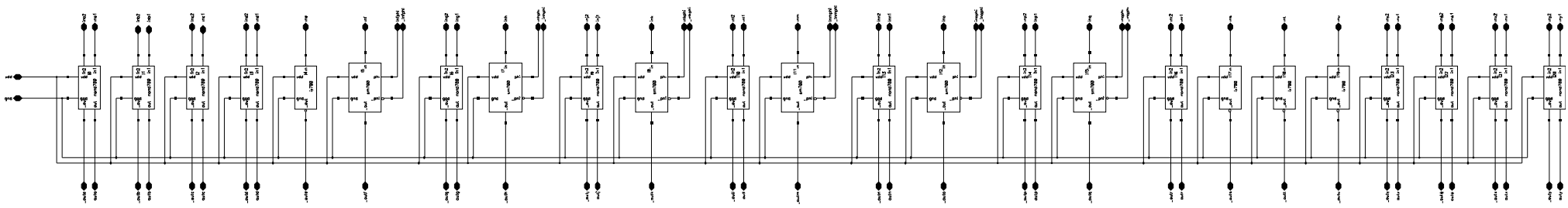
USER: blist
DATE: Wed May 24 14:43:21 2000
PLOT SIZE: 6.28 x 10.50 Inches
Library: decoderneu
Cell: ilog700
View: schematic
Plot Area: ((-4.725 -4.2875) (12.79375 6.1875))



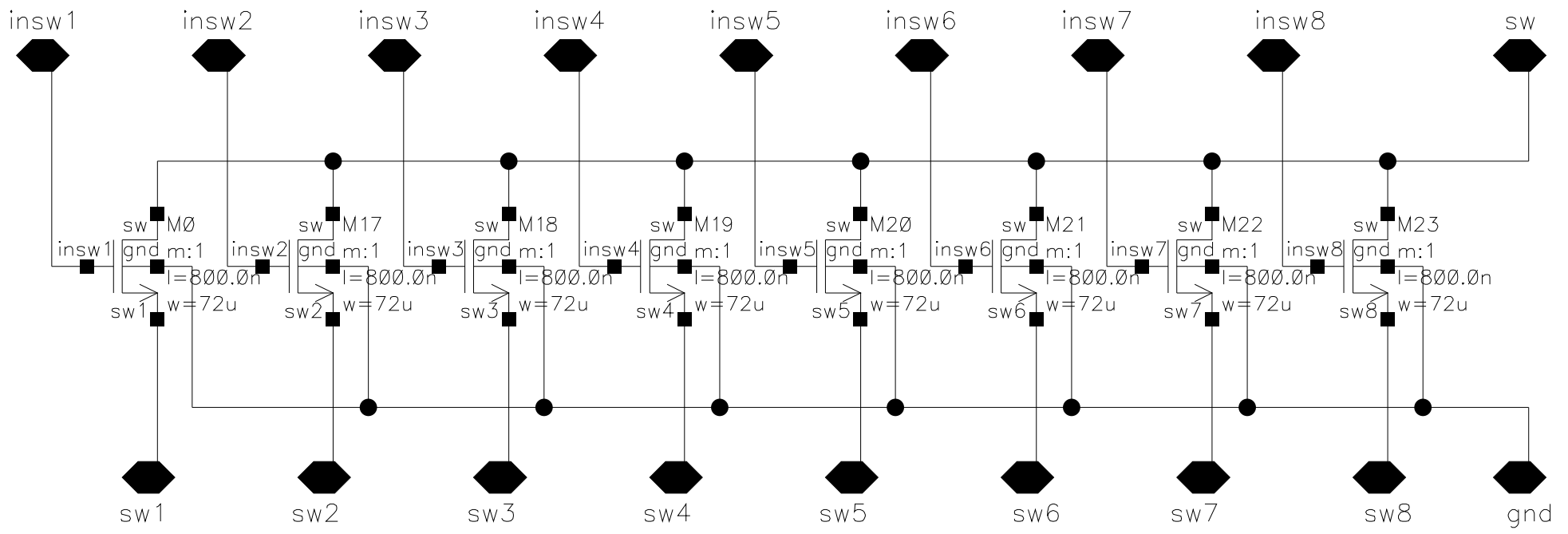
USER: blist
DATE: Wed May 24 14:50:23 2000
PLOT SIZE: 7.50 x 9.74 Inches
Library: decoderneu
Cell: iv700
View: schematic
Plot Area: ((-1.75 -1.0)(0.15625 1.475))



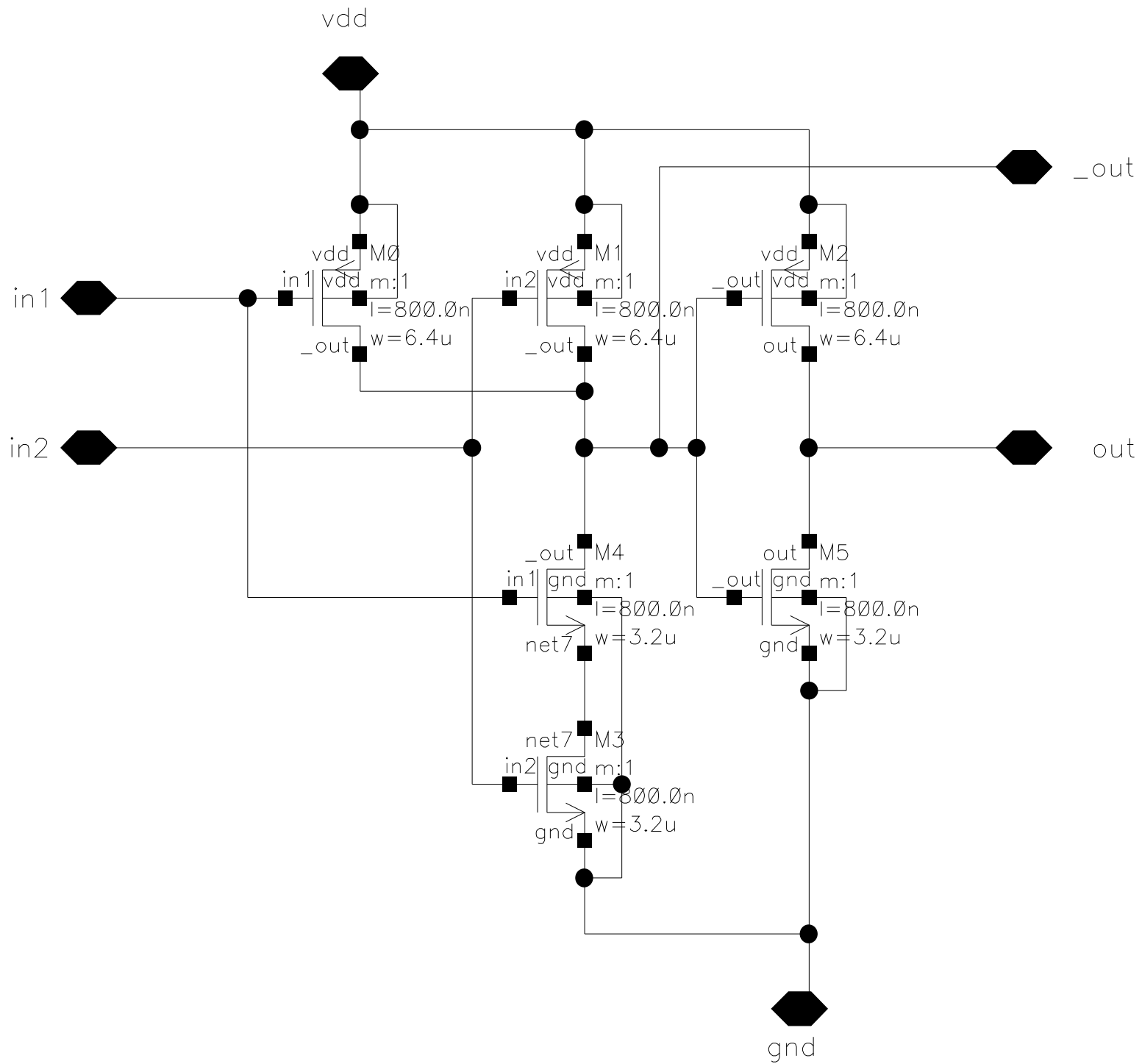
USER: blist
DATE: Wed May 24 14:44:09 2000
PLOT SIZE: 1.34 x 10.50 Inches
Library: decoderneu
Cell: log700
View: schematic
Plot Area: ((-7.875 - 2.20625) (28.25 2.4))



USER: blist
DATE: Wed May 24 14:58:44 2000
PLOT SIZE: 3.40 x 10.50 Inches
Library: decoderneu
Cell: ms700
View: schematic
Plot Area: ((-2.375 0.0625) (3.34375 1.9125))

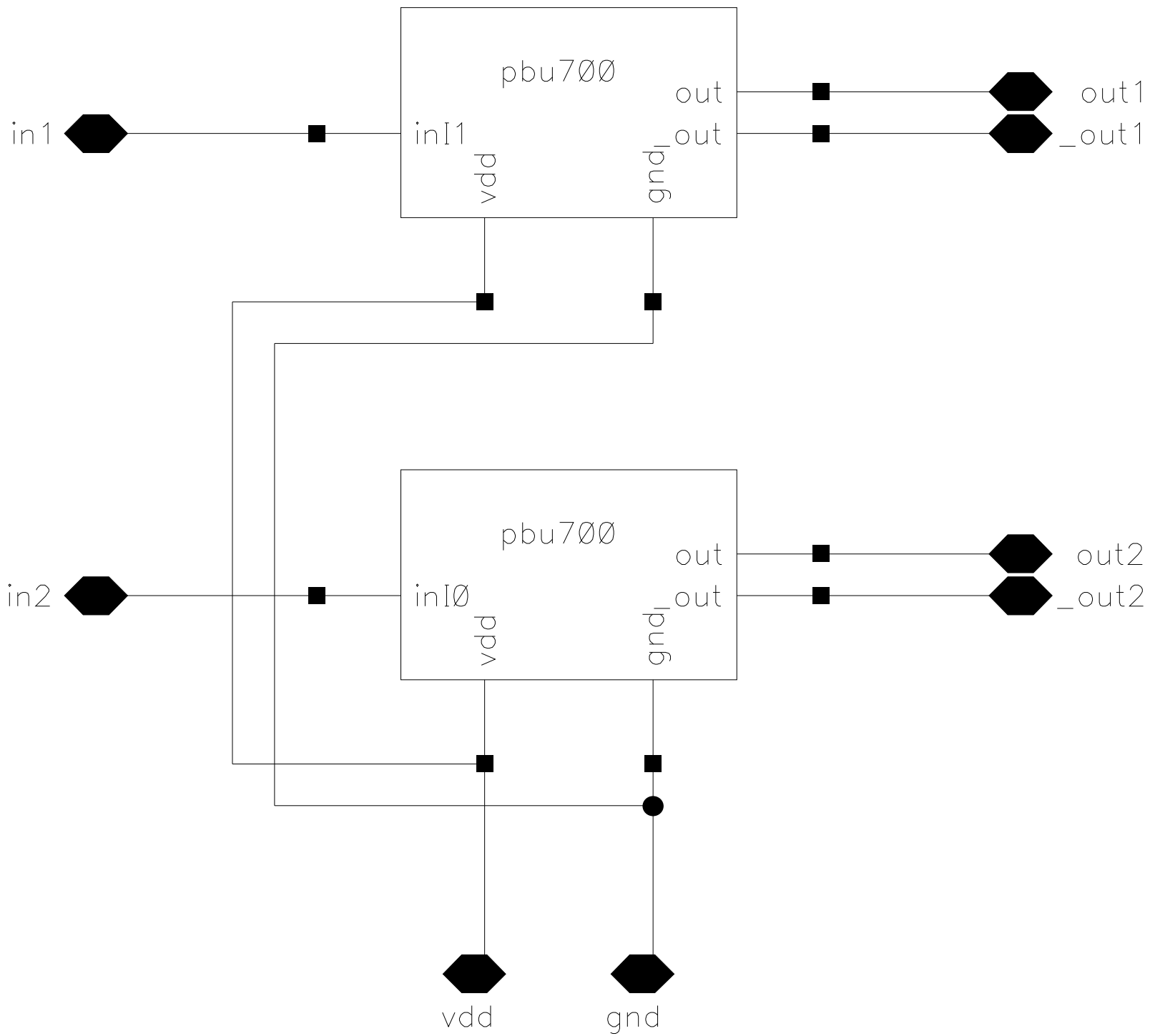


USER: blist
DATE: Wed May 24 14:49:53 2000
PLOT SIZE: 7.50 x 8.15 Inches
Library: decoderneu
Cell: nand700
View: schematic
Plot Area: ((-2.625 -1.5625)(1.21875 1.975))

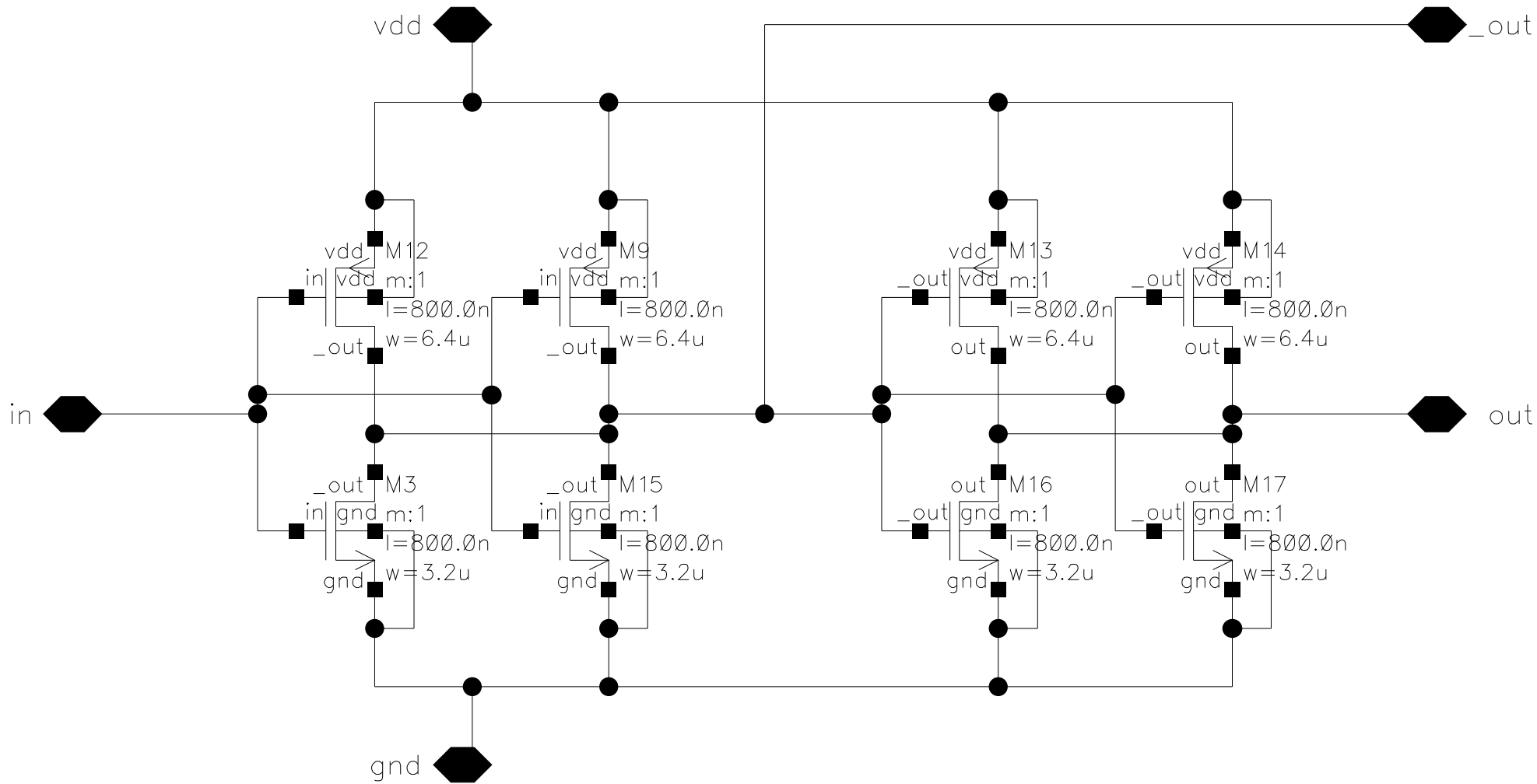


USER: blist
DATE: Wed May 24 14:46:43 2000
PLOT SIZE: 5.68 x 10.50 Inches
Library: decoderneu
Cell: padrec2
View: schematic
Plot Area: ((-5.3125 -3.0375)(4.975 2.53125))

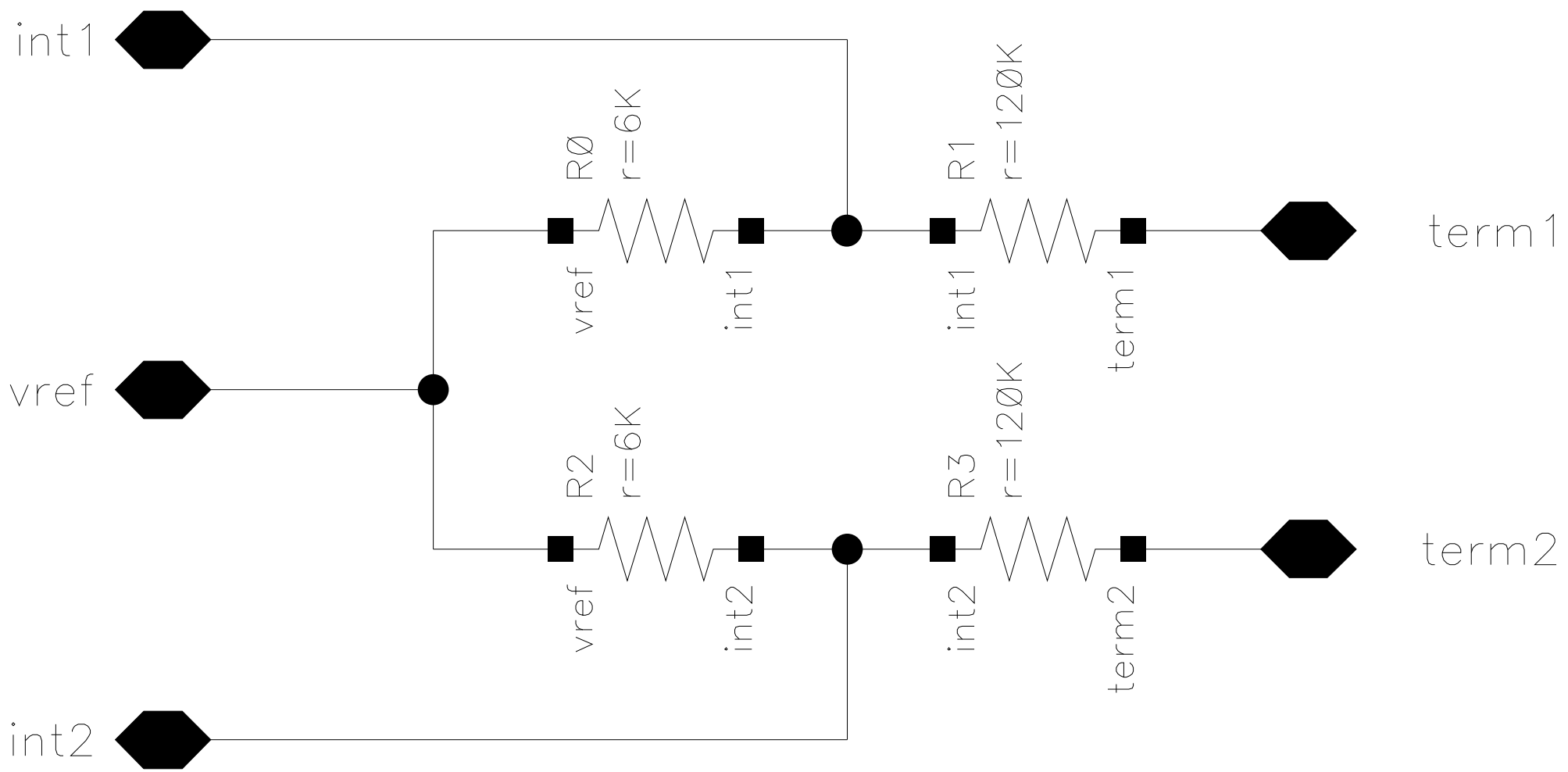
USER: blist
DATE: Wed May 24 14:52:33 2000
PLOT SIZE: 7.50 x 8.49 Inches
Library: decoderneu
Cell: pbd700
View: schematic
Plot Area: ((-2.75 -1.8125) (0.71875 1.25))



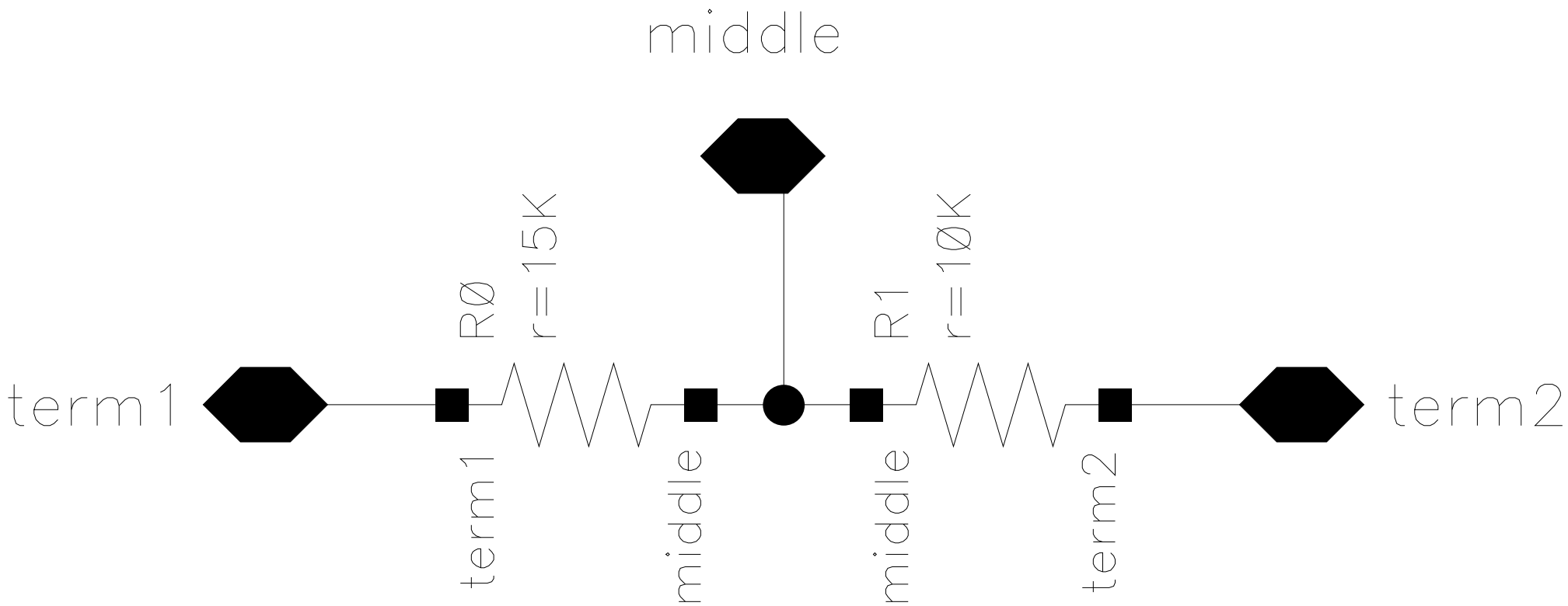
USER: blist
DATE: Wed May 24 14:52:03 2000
PLOT SIZE: 5.43 x 10.50 Inches
Library: decoderneu
Cell: pbu700
View: schematic
Plot Area: ((-2.4375 -0.9125) (2.59375 1.6875))



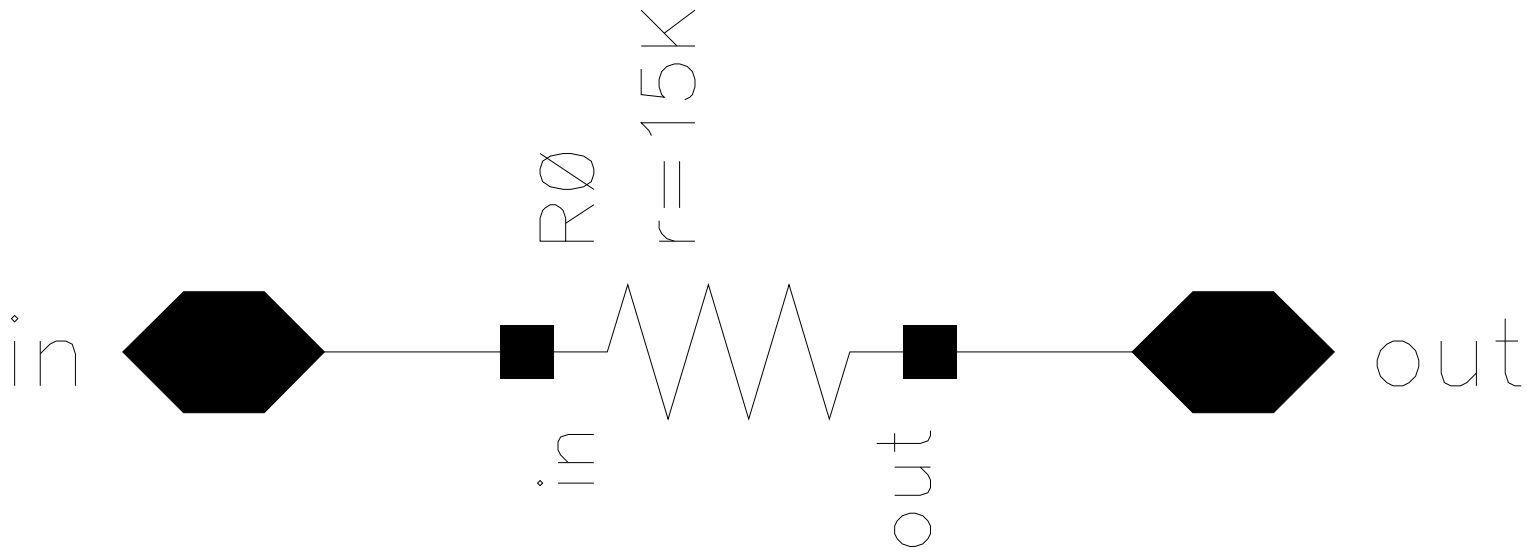
USER: blist
DATE: Wed May 24 14:46:12 2000
PLOT SIZE: 6.66 x 10.50 Inches
Library: decoderneu
Cell: ra700
View: schematic
Plot Area: ((-2.5 -0.25625)(0.59375 1.70625))



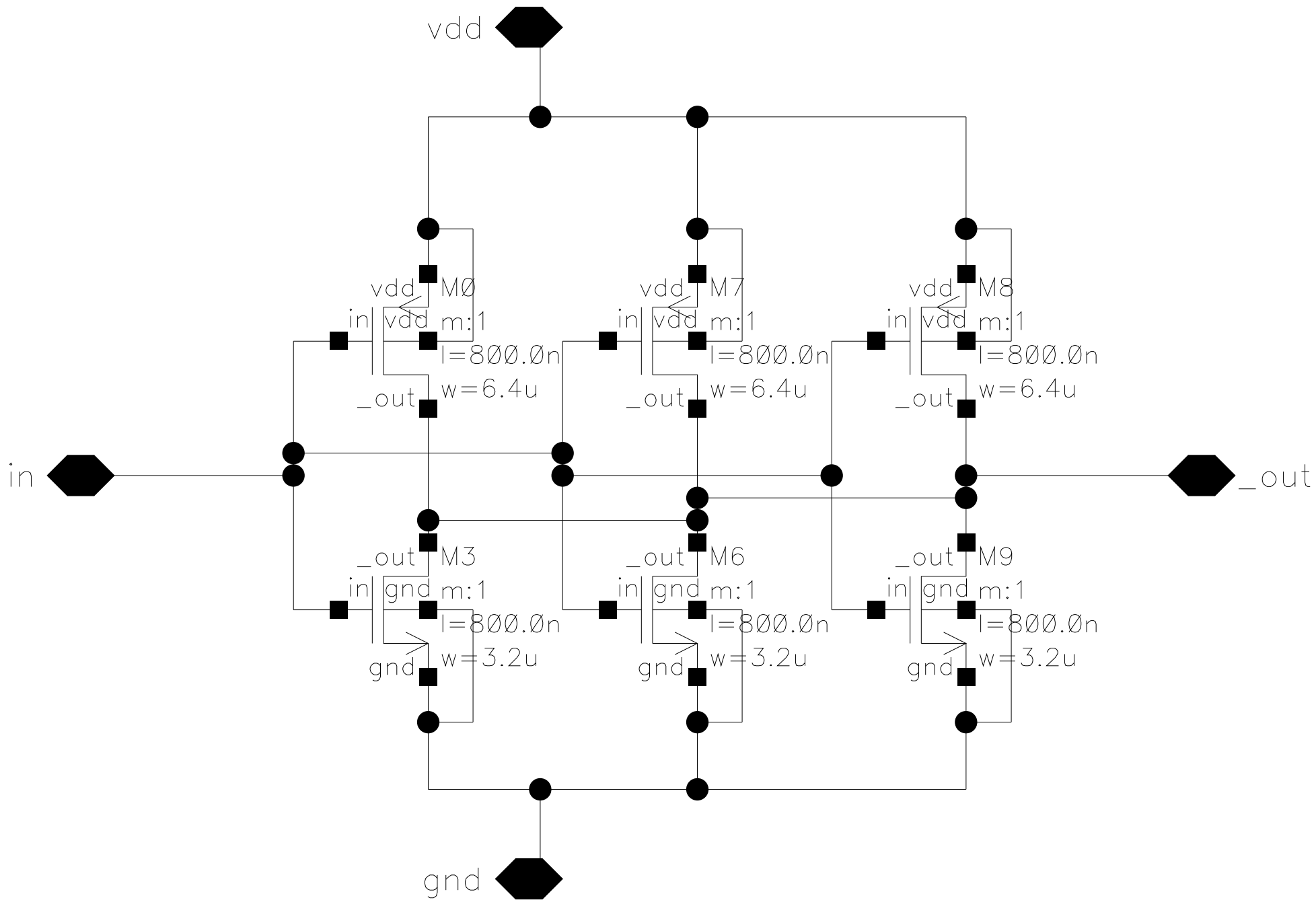
USER: blist
DATE: Wed May 24 14:59:59 2000
PLOT SIZE: 6.03 x 10.50 Inches
Library: decoderneu
Cell: re700
View: schematic
Plot Area: ((-2.05 -0.00625)(0.3125 1.35))



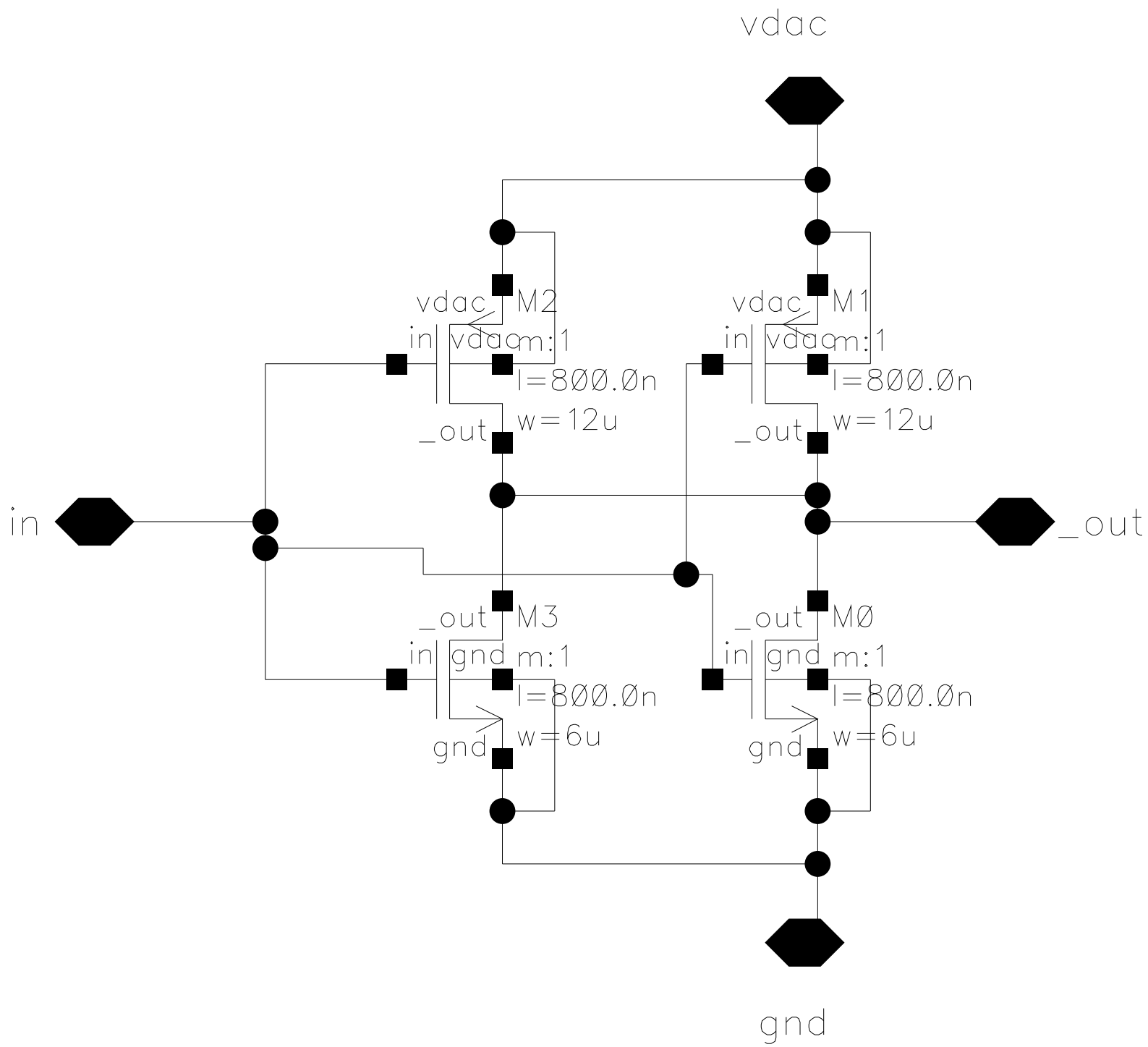
USER: blist
DATE: Wed May 24 15:03:52 2000
PLOT SIZE: 7.50 x 9.11 Inches
Library: decoderneu
Cell: ree700
View: schematic
Plot Area: ((-1.75 0.11875) (-0.125 1.45625))



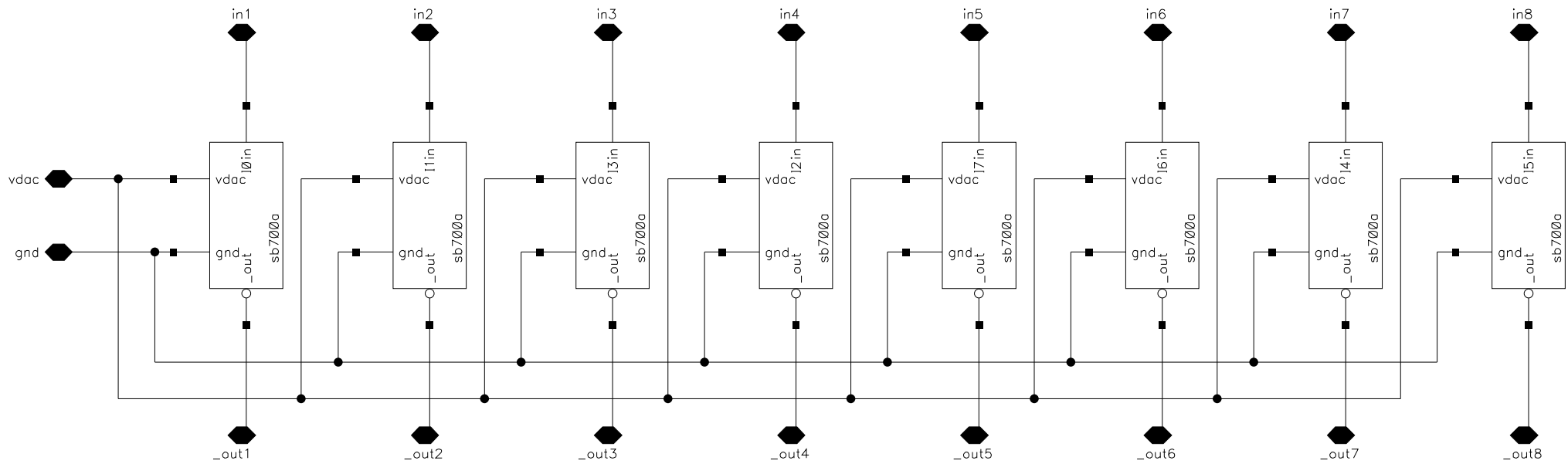
USER: blist
DATE: Wed May 24 14:54:26 2000
PLOT SIZE: 7.22 x 10.50 Inches
Library: decoderneu
Cell: sb700
View: schematic
Plot Area: ((-2.4375 -0.9125) (1.34375 1.6875))



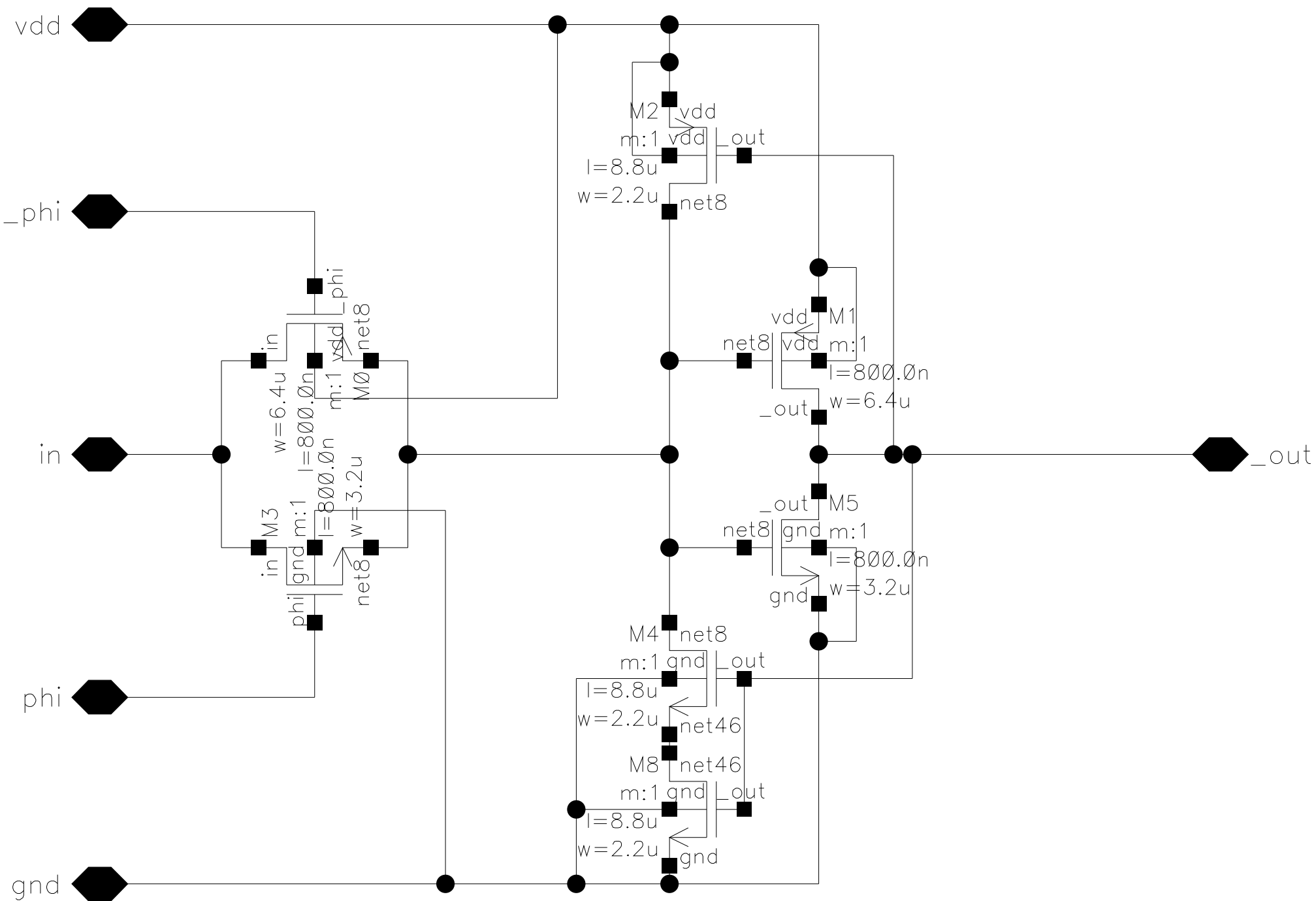
USER: blist
DATE: Wed May 24 14:59:31 2000
PLOT SIZE: 7.50 x 8.62 Inches
Library: decoderneu
Cell: sb700a
View: schematic
Plot Area: ((-2.6875 -1.0)(0.15625 1.475))



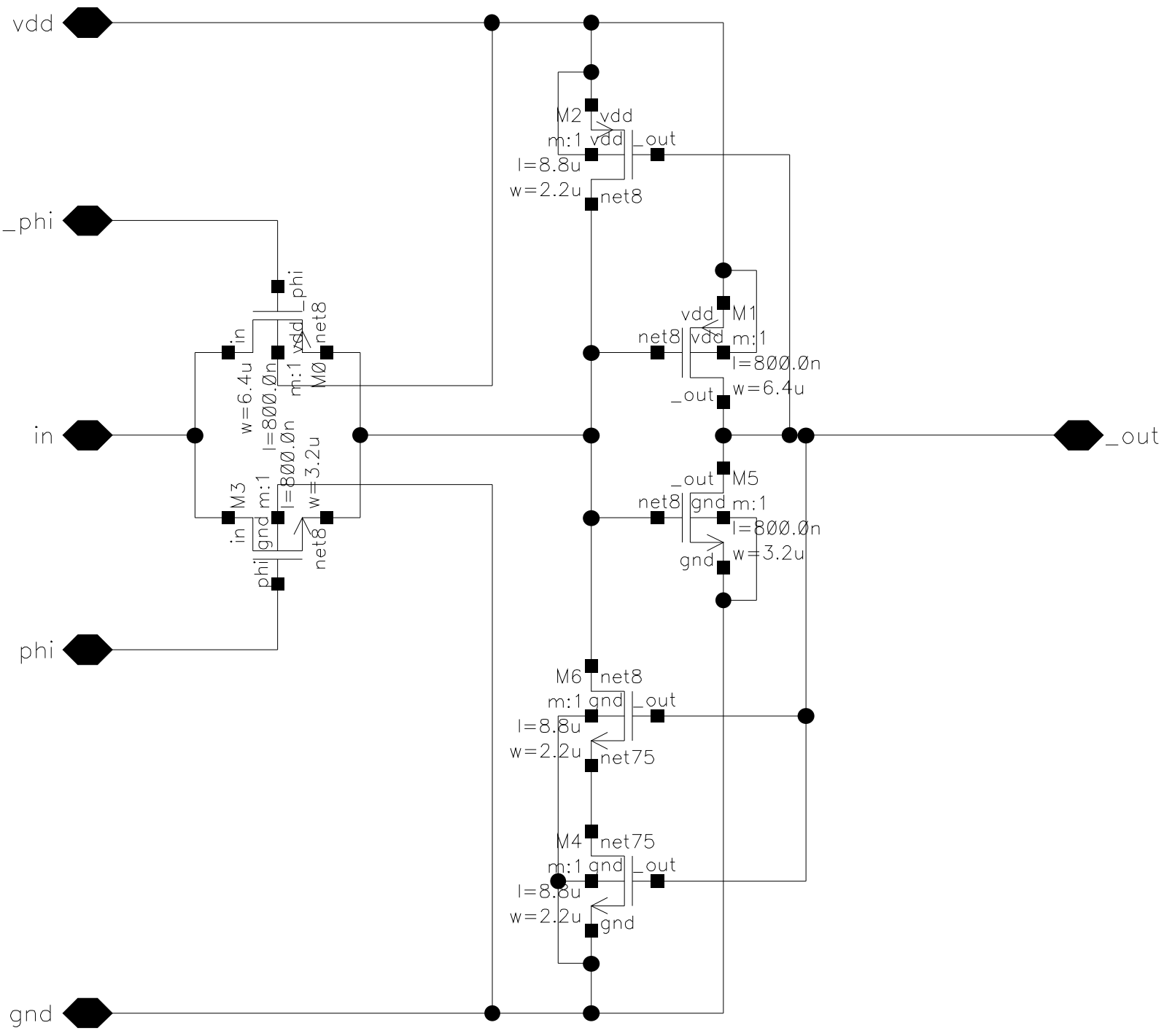
USER: blist
DATE: Wed May 24 14:59:11 2000
PLOT SIZE: 3.06 x 10.50 Inches
Library: decoderneu
Cell: sb708
View: schematic
Plot Area: ((-3.375 -2.0625) (7.25 1.0375))



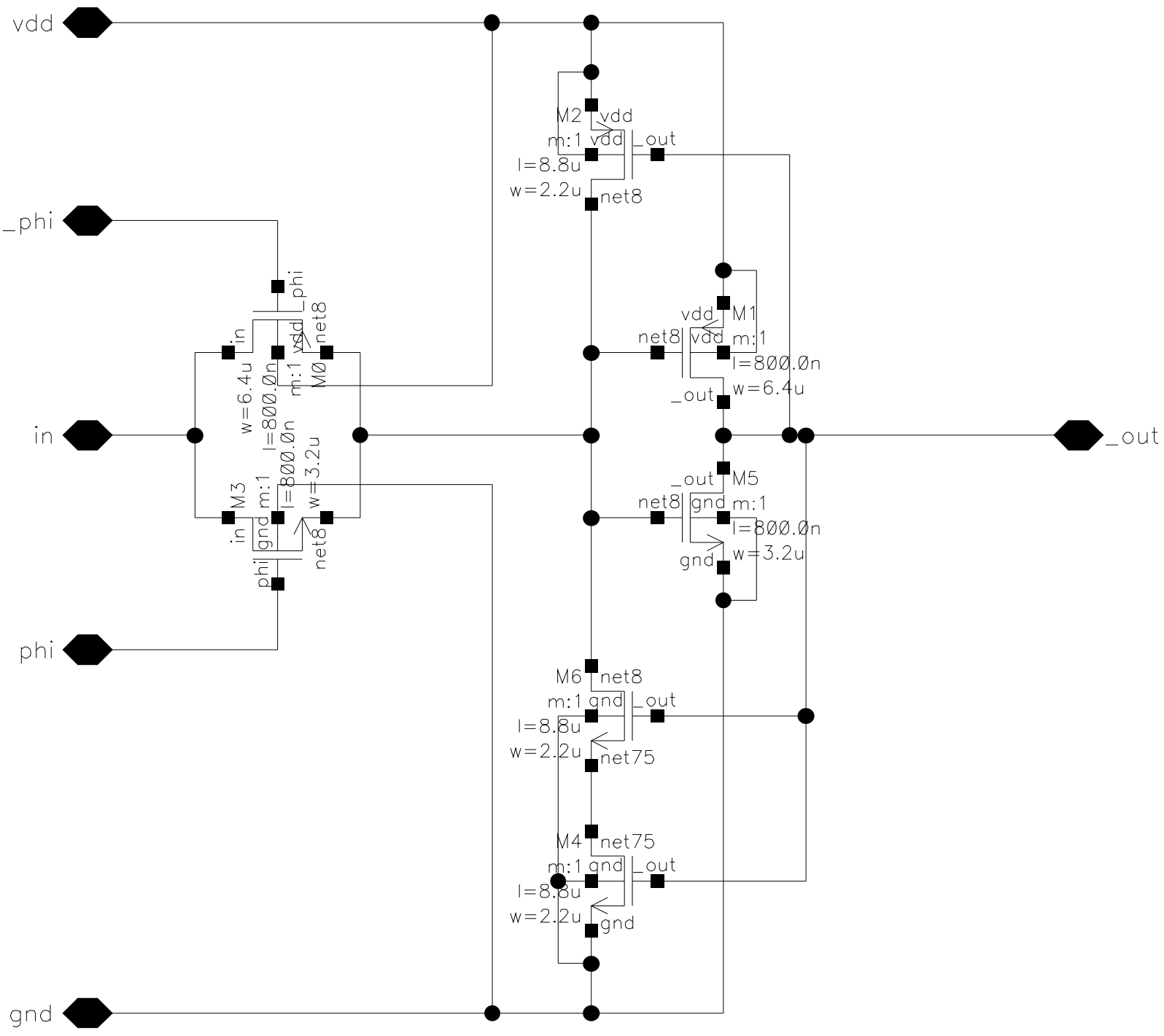
USER: blist
DATE: Wed May 24 14:50:50 2000
PLOT SIZE: 7.39 x 10.50 Inches
Library: decoderneu
Cell: sm700
View: schematic
Plot Area: ((-2.375 -1.5375) (2.03125 1.5625))



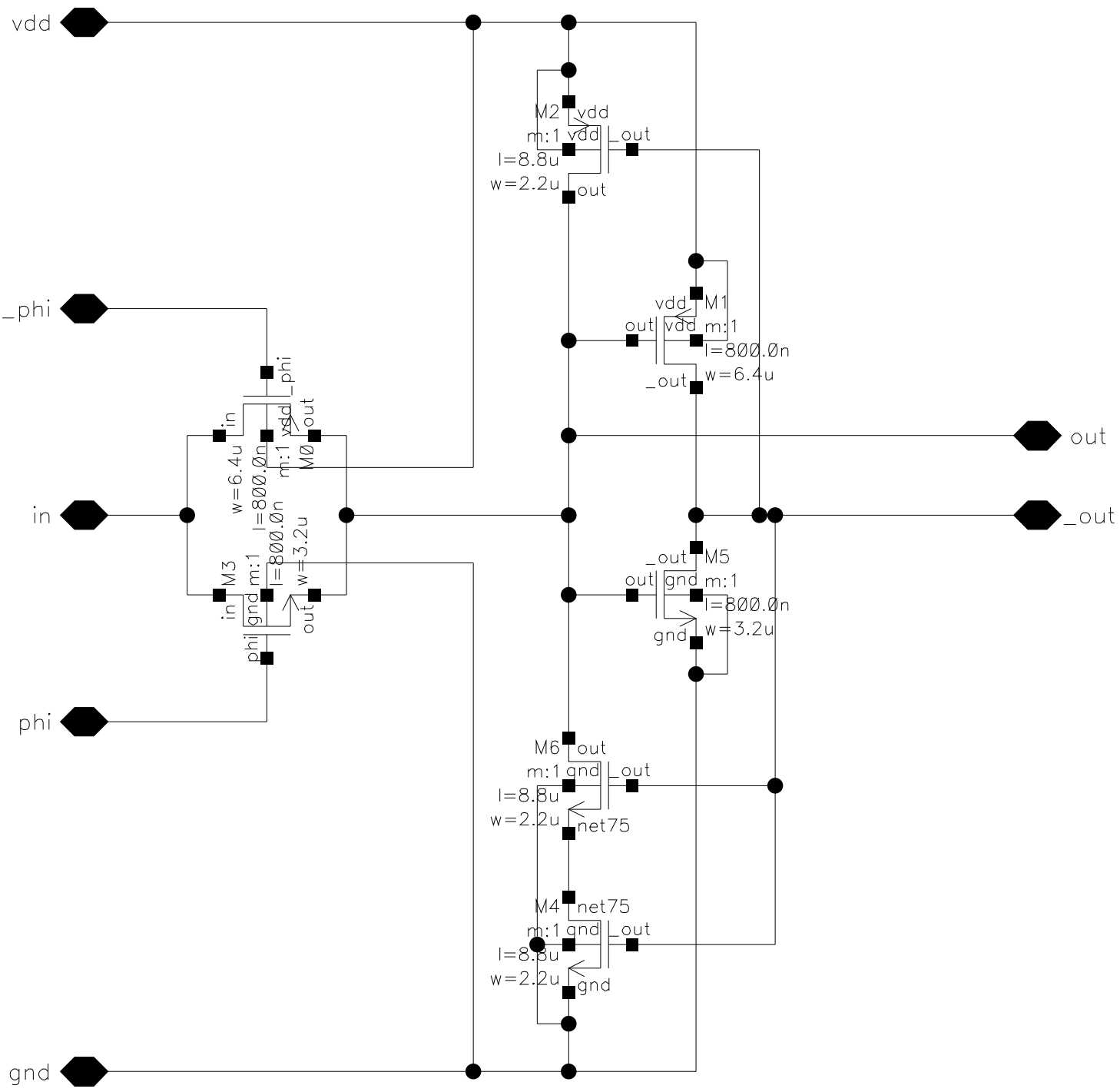
USER: blist
DATE: Wed May 24 14:56:35 2000
PLOT SIZE: 7.50 x 8.31 Inches
Library: decoderneu
Cell: sm700a
View: schematic
Plot Area: ((-2.375 -2.2875)(2.03125 1.6875))



USER: blist
DATE: Wed May 24 14:53:22 2000
PLOT SIZE: 7.50 x 8.31 Inches
Library: decoderneu
Cell: sr700
View: schematic
Plot Area: ((-2.375 -2.2875)(2.03125 1.6875))

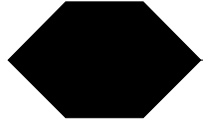


USER: blist
DATE: Wed May 24 14:57:40 2000
PLOT SIZE: 7.50 x 7.65 Inches
Library: decoderneu
Cell: sr700a
View: schematic
Plot Area: ((-2.375 -2.2875)(2.0625 2.0625))



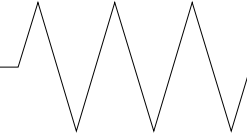
USER: blist
DATE: Wed May 24 14:48:04 2000
PLOT SIZE: 7.18 x 10.50 Inches
Library: decoderneu
Cell: srr700
View: schematic
Plot Area: ((-2.05 -0.13125) (-0.09375 1.20625))

term 1



term 1

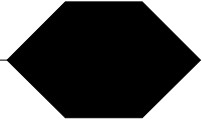
R0



r = 145K

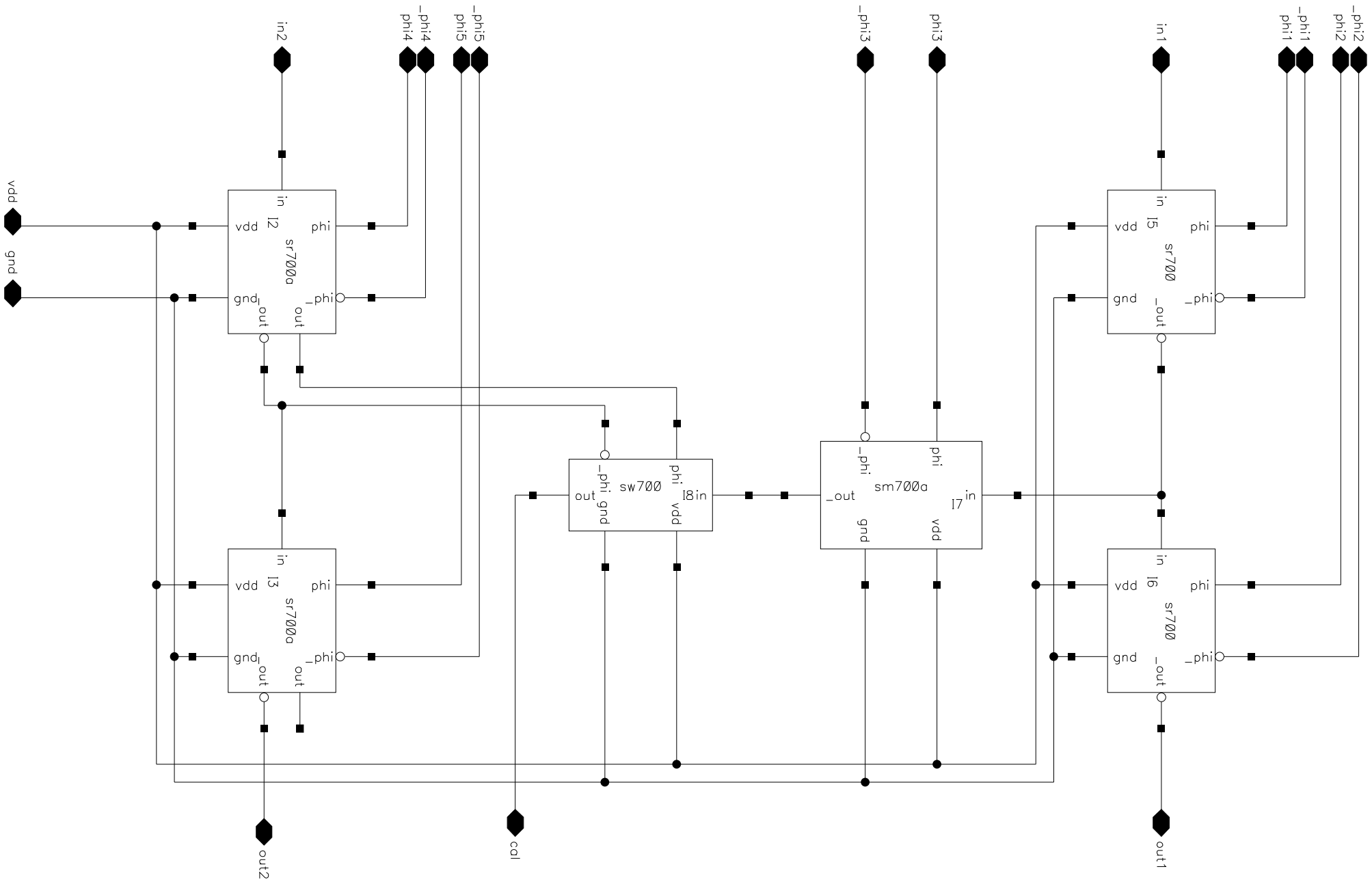


term 2

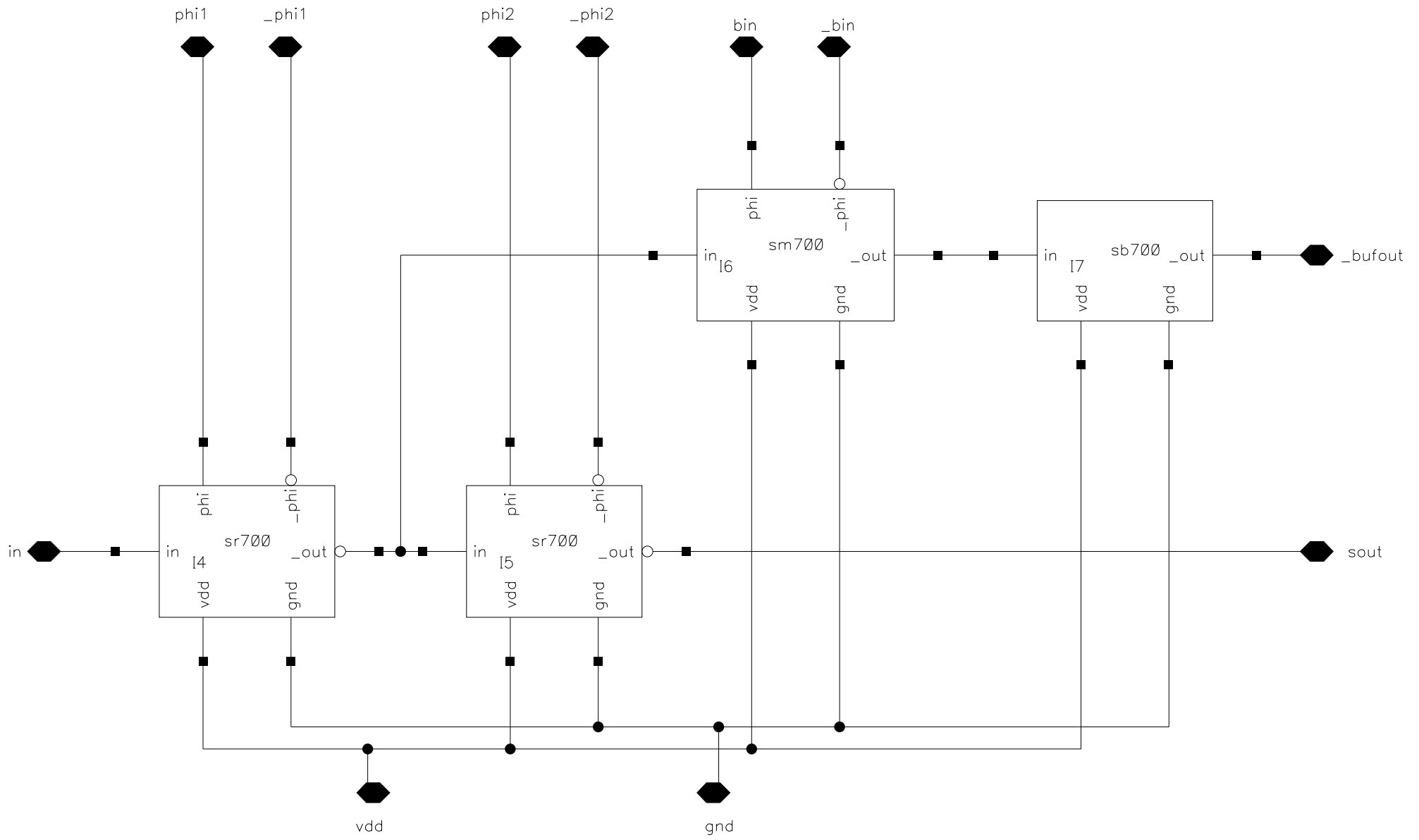


term 2

USER: blist
DATE: Wed May 24 14:55:42 2000
PLOT SIZE: 6.67 x 10.50 Inches
Library: decoderneu
Cell: srs70
View: schematic
Plot Area: ((-2.9125 -6.7875) (3.1875 2.8125))

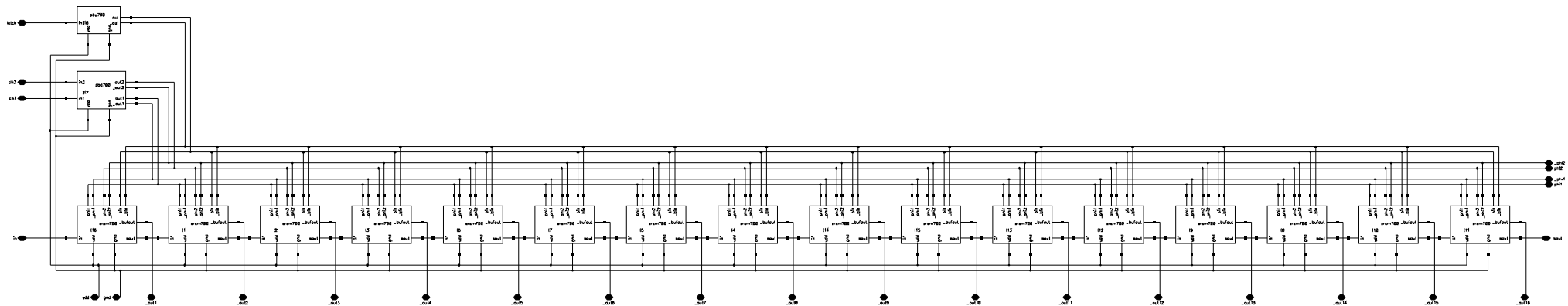


USER: blist
DATE: Wed May 24 14:53:02 2000
PLOT SIZE: 6.13 x 10.50 Inches
Library: decoderneu
Cell: srs700
View: schematic
Plot Area: ((-4.5 - 3.125) (3.59375 1.6))

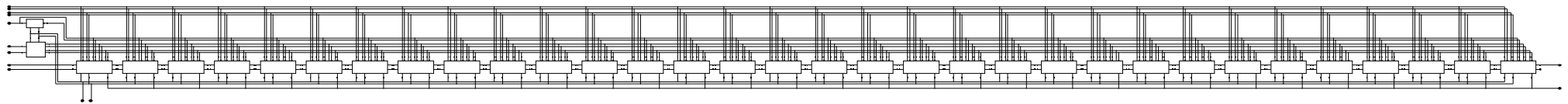


USER: blist
DATE: Wed May 24 14:58:07 2000
PLOT SIZE: 1.97 x 10.50 Inches
Library: decoderneu
Cell: ssb708
View: schematic
Plot Area: ((-4.2875 -1.2875) (16.25 2.5625))

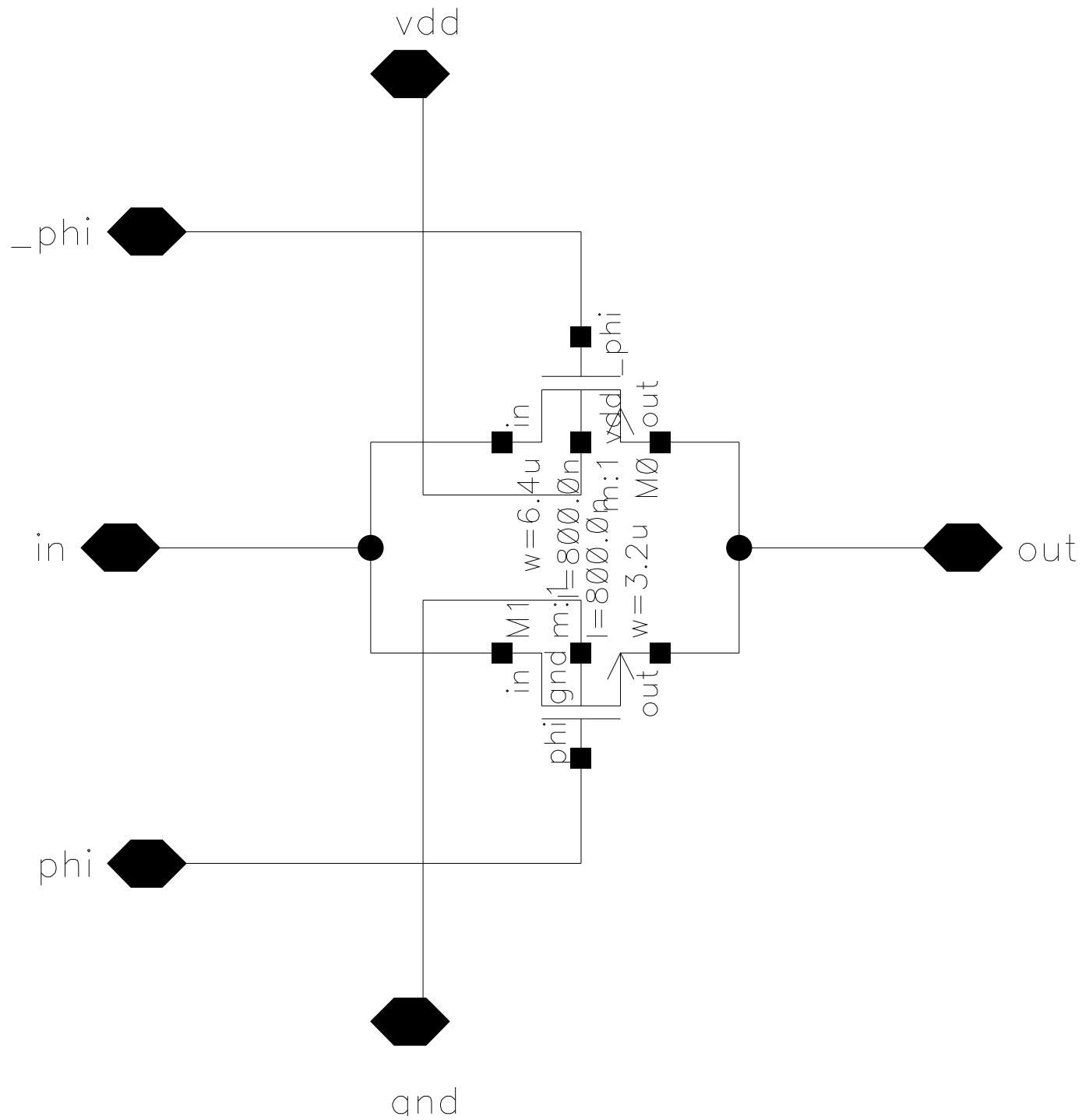
USER: blist
DATE: Wed May 24 14:51:37 2000
PLOT SIZE: 2.01 x 10.50 Inches
Library: decoderneu
Cell: ssb716
View: schematic
Plot Area: ((-3.7625 -2.6875) (32.4125 4.25))



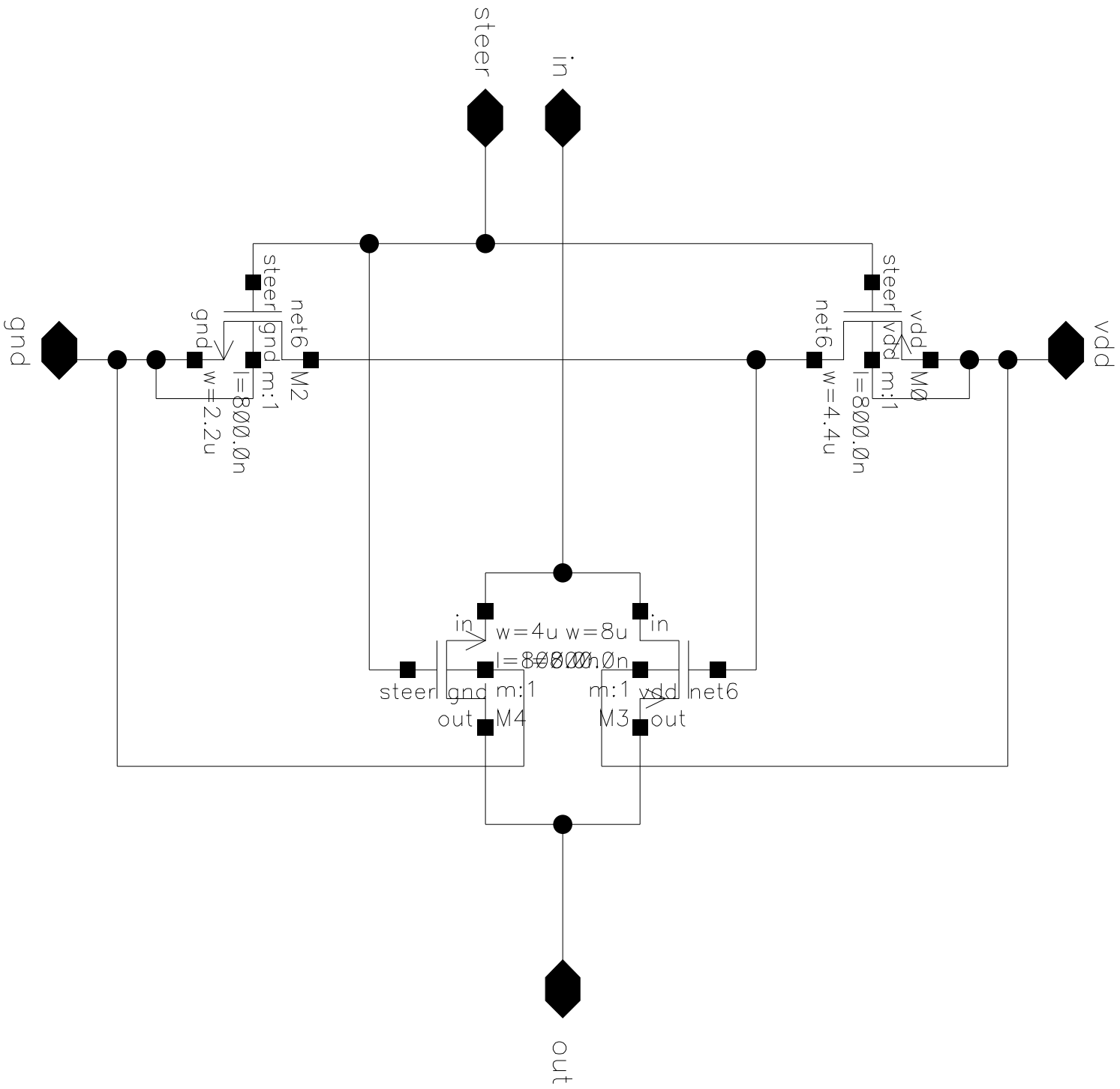
USER: blist
DATE: Wed May 24 14:55:00 2000
PLOT SIZE: 0.66 x 10.50 Inches
Library: decoderneu
Cell: ssb732
View: schematic
Plot Area: ((-6.0375 -2.0375) (87.5 3.8125))



USER: blist
DATE: Wed May 24 14:57:07 2000
PLOT SIZE: 7.50 x 7.57 Inches
Library: decoderneu
Cell: sw700
View: schematic
Plot Area: ((-2.1875 -0.85)(0.5 1.8125))



USER: blist
DATE: Wed May 24 14:47:33 2000
PLOT SIZE: 7.50 x 7.74 Inches
Library: decoderneu
Cell: sw701
View: schematic
Plot Area: ((-2.64375 -1.5625)(0.84375 2.0375))



USER: blist
DATE: Wed May 24 15:03:22 2000
PLOT SIZE: 4.37 x 10.50 Inches
Library: decoderneu
Cell: tr700
View: schematic
Plot Area: ((-1.75 -1.1) (3.75 1.1875))

